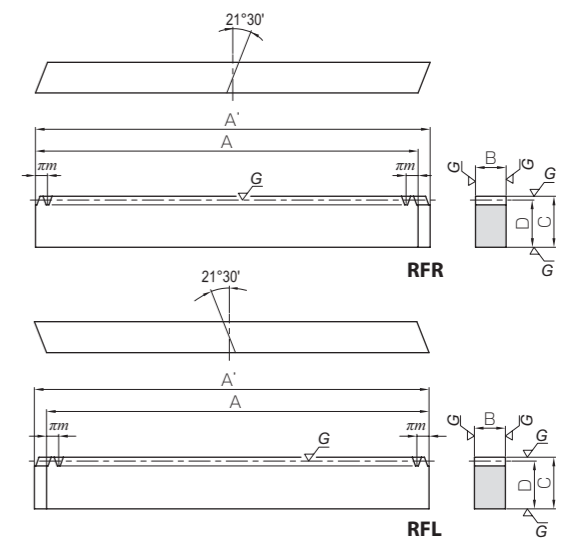
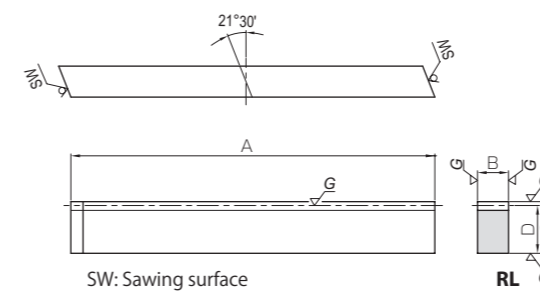
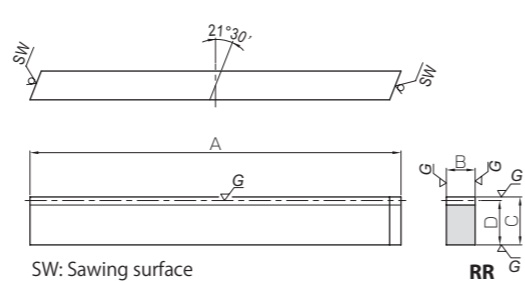


Specifications	
Precision grade	KHK R 001 grade 1 *
Reference section of gear	Rotating plane
Gear teeth	Standard full depth
Transverse pressure angle	20°
Helix angle	21°30'
Material	SCM440
Heat treatment	Thermal refining only
Tooth hardness	225 ~ 285HB

* The precision grade of J Series products is equivalent to the value shown in the table.

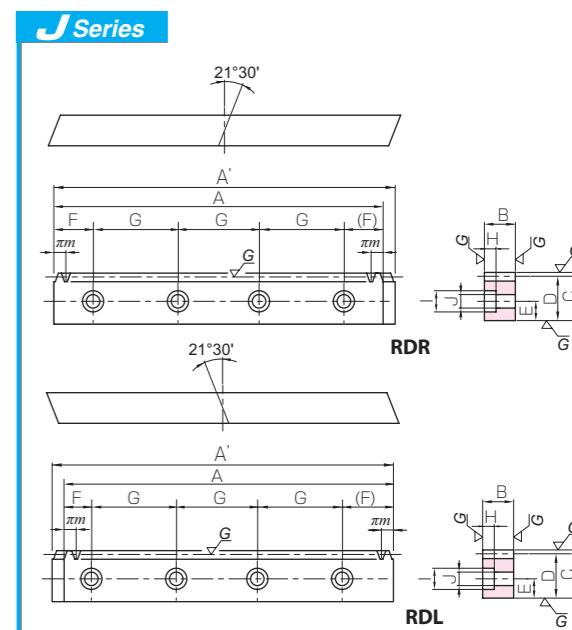


Catalog No.	Module	Effective no. of teeth	Direction of helix	Shape	Total length		Face width	Height	Height to pitch line	Allowable force (N)		Allowable force (kgf)	
					A	B				C	D	Bending strength	Surface durability
KKRHG1-100R KKRHG1-100L	m1	28	R L	RR RL	98	8	15	14	1290	955	131	97.4	
KKRHG1.5-100R KKRHG1.5-100L	m1.5	19	R L	RR RL	101	12	20	18.5	2890	2380	295	243	
KKRHG2-100R KKRHG2-100L	m2	13	R L	RR RL	98	16	25	23	5140	4230	524	432	
KKRHG2.5-100R KKRHG2.5-100L	m2.5	10	R L	RR RL	100	20	30	27.5	8030	6610	819	674	
KKRHG3-100R KKRHG3-100L	m3	8	R L	RR RL	102	25	35	32	12000	9810	1230	1000	

Weight (kg)	Catalog No.
0.086	KKRHG1-100R KKRHG1-100L
0.18	KKRHG1.5-100R KKRHG1.5-100L
0.28	KKRHG2-100R KKRHG2-100L
0.43	KKRHG2.5-100R KKRHG2.5-100L
0.64	KKRHG3-100R KKRHG3-100L

Catalog No.	Module	No. of teeth	Direction of helix	Shape	Total length		Face width	Height	Height to pitch line	Allowable force (N)	
					A	A'				B	C
KKRHGF1-500R KKRHGF1-500L	m1	159	R L	RFR RFL	499.51	502.66	8	15	14	1290	955
KKRHGF1.5-500R KKRHGF1.5-500L	m1.5	106	R L	RFR RFL	499.51	504.23	12	20	18.5	2890	2380
KKRHGF2-1000R KKRHGF2-1000L	m2	160	R L	RFR RFL	1005.31	1011.61	16	25	23	5140	4230
KKRHGF2.5-1000R KKRHGF2.5-1000L	m2.5	128	R L	RFR RFL	1005.31	1013.19	20	30	27.5	8030	6610
KKRHGF3-1000R KKRHGF3-1000L	m3	106	R L	RFR RFL	999.03	1008.88	25	35	32	12000	9810

Allowable force (kgf)	Weight (kg)	Catalog No.	
			Bending strength
131	97.4	0.44	KKRHGF1-500R KKRHGF1-500L
295	243	0.87	KKRHGF1.5-500R KKRHGF1.5-500L
524	432	2.90	KKRHGF2-1000R KKRHGF2-1000L
819	674	4.34	KKRHGF2.5-1000R KKRHGF2.5-1000L
1230	1000	6.27	KKRHGF3-1000R KKRHGF3-1000L



Catalog No.	Module	No. of teeth	Direction of helix	Shape	Total length		Face width	Height	Height to pitch line	Mounting hole dimensions			No. of mounting holes
					A	A'				B	C	D	
• KKRHGFD1-500RJ • KKRHGFD1-500LJ	m1	159	R L	RDR RDL	499.51	502.66	8	15	14	6	24.76	150	4
• KKRHGFD1.5-500RJ • KKRHGFD1.5-500LJ	m1.5	106	R L	RDR RDL	499.51	504.23	12	20	18.5	8	24.76	150	4
• KKRHGFD2-1000RJ • KKRHGFD2-1000LJ	m2	160	R L	RDR RDL	1005.31	1011.61	16	25	23	10	52.65	180	6
• KKRHGFD2.5-1000RJ • KKRHGFD2.5-1000LJ	m2.5	128	R L	RDR RDL	1005.31	1013.19	20	30	27.5	12	52.65	180	6
• KKRHGFD3-1000RJ • KKRHGFD3-1000LJ	m3	106	R L	RDR RDL	999.03	1008.88	25	35	32	14	49.51	180	6

Mounting screw size	Counterbore dimensions			Allowable force (N)		Allowable force (kgf)		Weight (kg)	Catalog No.
	H	I	J	Bending strength	Surface durability	Bending strength	Surface durability		
M4	4.4	8	4.5	1290	955	131	97.4	0.43	• KKRHGFD1-500RJ • KKRHGFD1-500LJ
M5	6	10	6	2890	2380	295	243	0.85	• KKRHGFD1.5-500RJ • KKRHGFD1.5-500LJ
M6	7	11	7	5140	4230	524	432	2.86	• KKRHGFD2-1000RJ • KKRHGFD2-1000LJ
M8	8.6	14	9	8030	6610	819	674	4.24	• KKRHGFD2.5-1000RJ • KKRHGFD2.5-1000LJ
M10	10.8	17.5	11	12000	9810	1230	1000	6.09	• KKRHGFD3-1000RJ • KKRHGFD3-1000LJ

- [Caution on Product Characteristics]
- The allowable forces shown in the table are the calculated values according to the assumed usage conditions. Please see Page 190 for more details.
 - The backlash of racks differ depending on the size of the mating pinion. Please calculate the backlash from the backlash value of the mating pinion. Also, please refer to the data in the section called 'Backlash of Rack Tooth (Amount of Tooth Thinning)' on Page 193.
 - Please use KHG Ground Helical Gears as the mating pinion.
 - These racks produce axial thrust forces. See page 167 for more details.

- [Caution on Secondary Operations]
- Please read "Caution on Performing Secondary Operations" (Page 194) when performing modifications and/or secondary operations for safety concerns.

- [Caution on J series]
- As available-on-request products, requires a lead-time for shipping within **2 working-days (excludes the day ordered), after placing an order.** Please allow additional shipping time to get to your local distributor.
 - Number of products we handle for one order is **1 to 20 pieces.** For quantities of 21 pieces or more, we need to quote price and lead time.

Recommended Mating Pinions



KKHGF Ground Helical Gears

Spur Gears

Helical Gears

Internal Gears

Racks

CP Racks & Pinions

Miter Gears

Bevel Gears

Screw Gears

Worm Gear Pairs

Bevel Gearboxes

Other Products