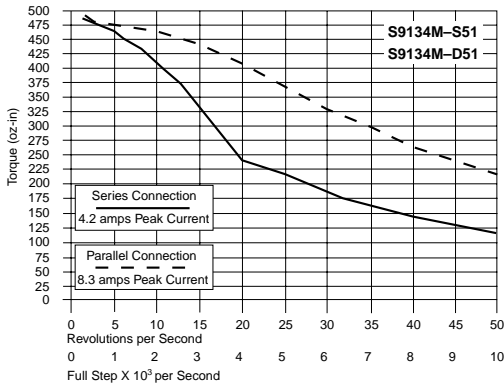
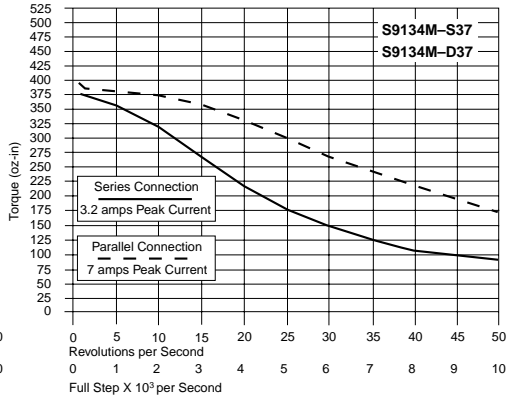
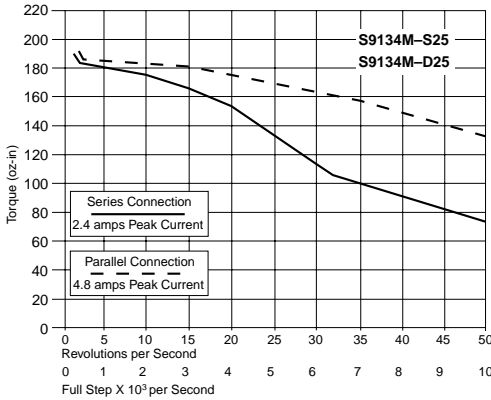
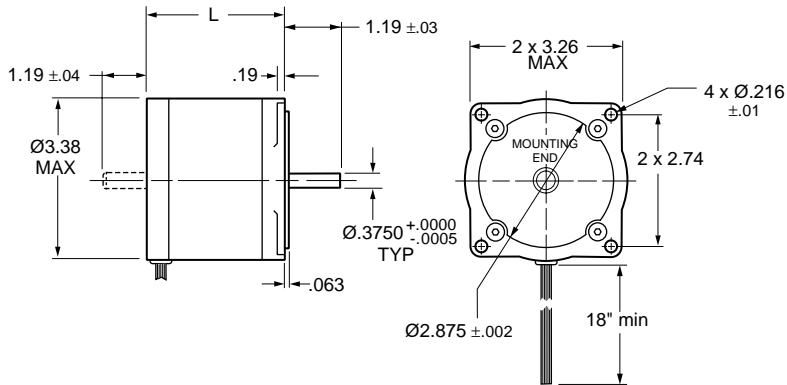
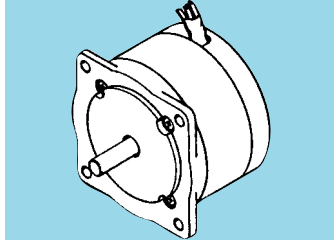


**MAXIMUM THEORETICAL TORQUE CURVES
DRIVE SETTING 160V DC**



■ 1.8° STEP ANGLE

■ SINGLE- OR DOUBLE-ENDED SHAFTS

**SPECIFICATIONS:****Maximum Drive Voltage** – 160V DC**Leads** – 8 (See wiring diagram page)

Optimized for microstepping

Catalog Number*	Motor Conn.	L	Min. Holding Torque oz. in.	Phase Current amps	Phase Inductance mH ± 20%	Phase Resistance ohms ± 10%	Voltage V DC	Rotor Inertia oz. in ²	Weight lbs.
S9134M-D25 S9134M-S25	Series	2.5	212.0	2.42	10.0	1.3	3.0	3.66	3.0
	Parallel		212.0	4.84	2.5	.3	1.5		
	Unipolar		150.0	3.42	2.5	.6	2.1		
S9134M-D37 S9134M-S37	Series	3.7	424.0	3.24	11.6	1.0	3.5	6.72	5.4
	Parallel		424.0	7.07	2.9	.3	1.8		
	Unipolar		300.0	5.00	2.9	.5	2.5		
S9134M-D51 S9134M-S51	Series	5.1	636.0	4.17	10.4	.8	3.5	10.2	7.7
	Parallel		636.0	8.34	2.6	.2	1.8		
	Unipolar		450.0	5.90	2.6	.4	2.5		

* Catalog numbers with **D** in the suffix have **double shafts**; **S** in the suffix denotes **single shaft**.