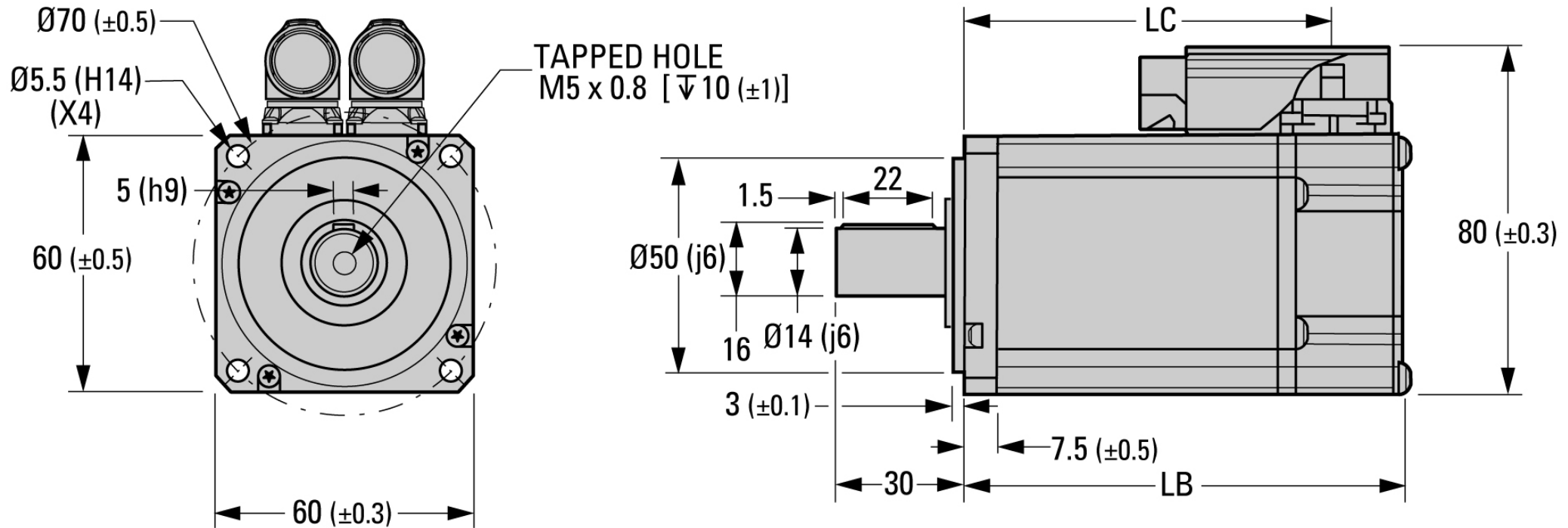


## NH1-060AD & NH1-060LD: (mm)



$\Delta t = 100^\circ\text{C}$  winding  $40^\circ\text{C}$  maximum ambient  
 All data subject to  $\pm 10\%$  tolerance  
 Stall torque, rated torque and power relate to maximum continuous operation tested in a  $20^\circ\text{C}$  ambient at **12 kHz drive switching frequency**  
 All other figures relate to a  $20^\circ\text{C}$  motor temperature.  
 Maximum intermittent winding temperature is  $140^\circ\text{C}$

### MOTOR DIMENSION (mm)

	Feedback CT*		Mounting bolts		
	Unbraked length	Braked length			
	LB ( $\pm 0.9$ )	LC ( $\pm 1.0$ )	LB ( $\pm 0.9$ )	LC ( $\pm 1.0$ )	
060A	82.5	66.5	119.5	103.5	M5
060B	102.5	86.5	139.5	123.5	

\*Incremental Encoder: CT = CT 4096