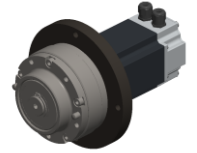


Enquiry N°:

Created by: DB / Approved by: TB

**500KG PAYLOAD
AGV SOLUTION**



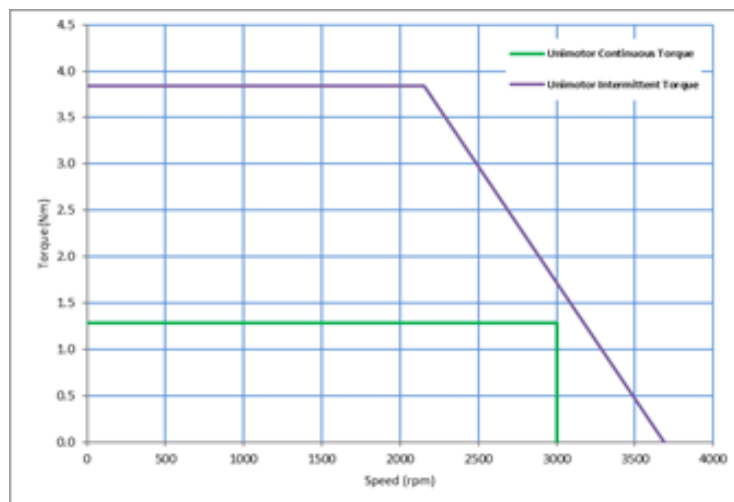
Definition

Type	Unimotor HD	
Frame Size (mm)	060	
Voltage	L	Ultra-Low Voltage
Magnet type	D	High Dynamic
Frame Length	B	
Speed (min ⁻¹)	30	3000 @48Vdc – 1500@ 24Vdc
Brake	0	Unbraked
Connection type	F	Flying lead power connection (0.5 m)
Output shaft	G	Integrated Gearbox Shaft
Feedback device code	KU	1024ppr push-pull comms (CTD/Motion)
Inertia & thermistor	C	Standard inertia + KTY84 thermistor
PCD (Gbox)	114	114 (Gear box)
Shaft Diameter	620	G BOX output
Fan Box	-	
Insulation class	F	
UL Motor / UL Stator	UL Stator	

Nominal characteristics

Motor Ambient Temperature (°C)	40	Drive Fsw (kHz)	12
Motor Stall Torque (Nm)	1.28	Stall Current (A)	9.79
Rated Torque (Nm)	1.28	Nominal Current (A)	9.79
Motor Peak Torque (Nm)	3.84	Kt (Nm/A)	0.13
Rated Power (kW)	0.40	Ke (V/kmin-1)	8.30
Winding Thermal Time Constant (s)		R (ph-ph) (Ohm)	0.23
Number of Poles	10	L (ph-ph) (mH)	1.13
Maximum Cogging (Nm)	0.02		
Inertia Motor + Gearbox (kg.cm ²)		Weight Motor + Gearbox (kg)	
Ingress Protection Level (IP)	IP54		

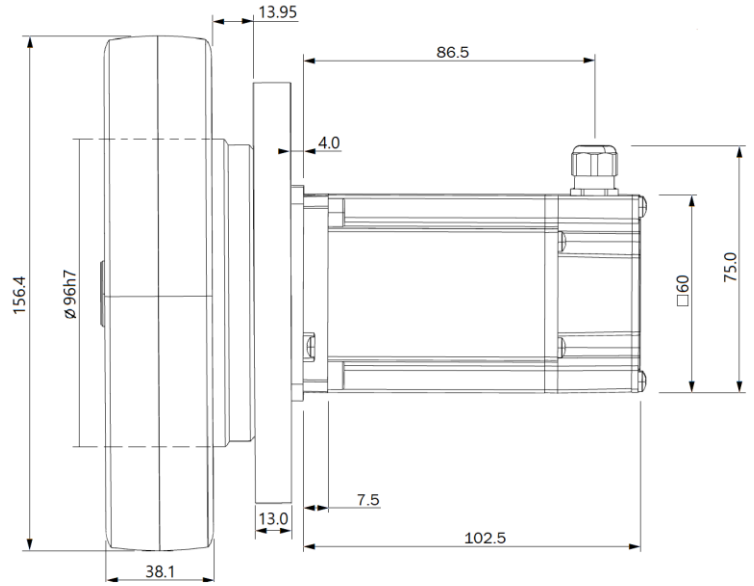
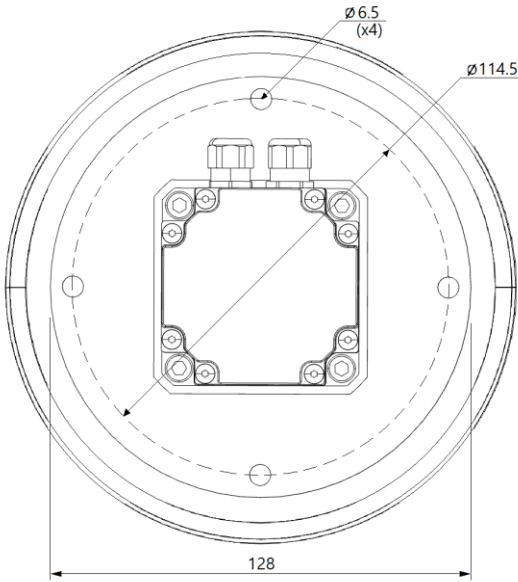
Torque / speed graph



Enquiry N°:

Created by: DB / Approved by: TB

Motors (° & mm)



2 x CABLE GLANDS FOR POWER & SIGNAL FLYING LEADS

Motor electrical interface Connectors option:

Feedback device code: KU – 1024ppr push-pull comms				Connection type:	
Red	Power	Blue	CH B	U	Orange (x1)
Green	HALL A			V	Red (x1)
Brown	HALL B			W	Yellow (x1)
White	HALL C			Earth	Green/Yellow (x1)
Black	GND				
Yellow	CH A				
SIG Cable: 500mm Cut end, M10 gland (from gland to customer end)					
				PWR Cable: 500mm, Ferrules (from gland to customer end) 4 cores of 18 AWG UL 1330 wire, with polyolefin heat shrink sleeve wire markers fitted to lead wires	

Enquiry N°:
Created by: DB / Approved by: TB

Gear Box characteristics

Ratio	9	Backlash (arc/min)	≤7
Stages	1	Radial Load (Fr, N) @ Fa=0, Input Speed Nom	3500
Inertia (kg.cm ²)	~0.2	Radial Load MAX (Fr, N)	7250
Weight (kg)	2.7	Axial Load (Fa, N) @ Fr=0, Input Speed Nom	2200
Efficiency	95%		

