

**CONTROL
TECHNIQUES
DYNAMICS**

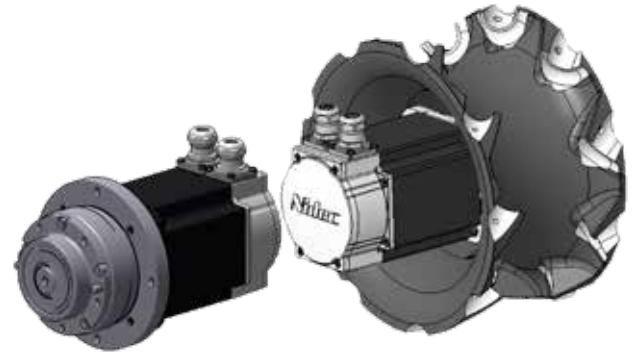
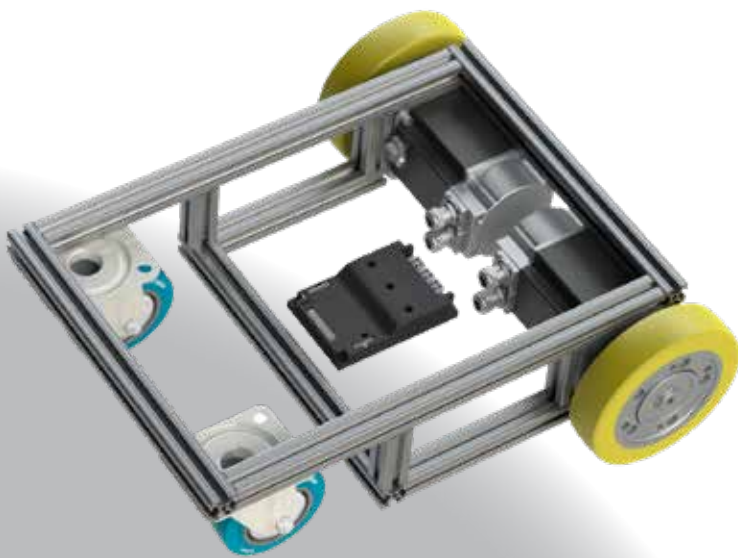
AGV SOLUTION #2 AGV089A02

3,000rpm braked

SERVO MOTOR SPECIALISTS

COMPLETE SOLUTION

Our Motion Control group excels at designing AGV motors and drive systems that offer innovative technology along with long-lasting quality for payloads of 400-600kg. We have designed customised AGV solutions for some of the biggest names in distribution. You can depend on our products to provide the energy efficiency, dependability and longevity you require.



FULL CONTROL

AGV's need two motors to move and steer. At Motion Control we can make this work with a single controller. Compared to the traditional One Motor/One Controller approach, the Dual Channel is simpler, cheaper, safer and easier to integrate and maintain. Two controllers can even team up to drive 4 motors with Mecanum wheels to move Omnidirectional Robots.

Nidec
All for dreams

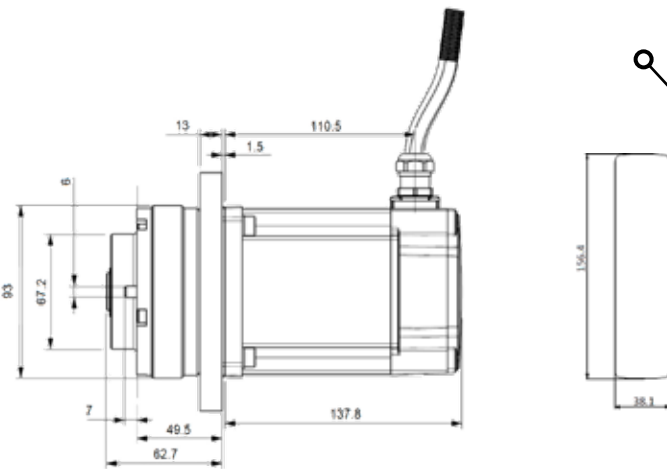
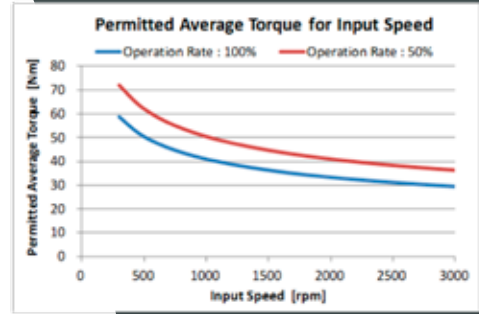
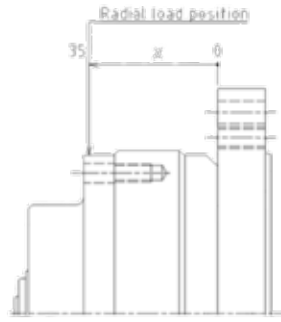
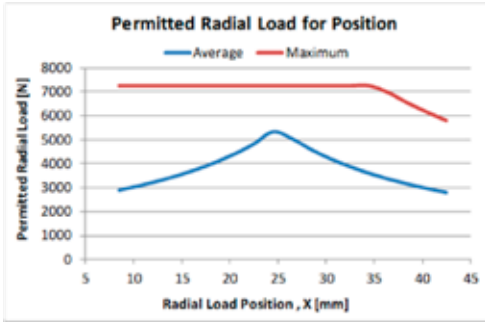
SOLUTION #2

Designed for applications with a loads upto 600kg

Order code

AGV089A02

3,000rpm braked



Supply (V)	24
Power (W)	15
Torque (Nm)	4
Release Time (ms)	30
Max Backlash (°)	3

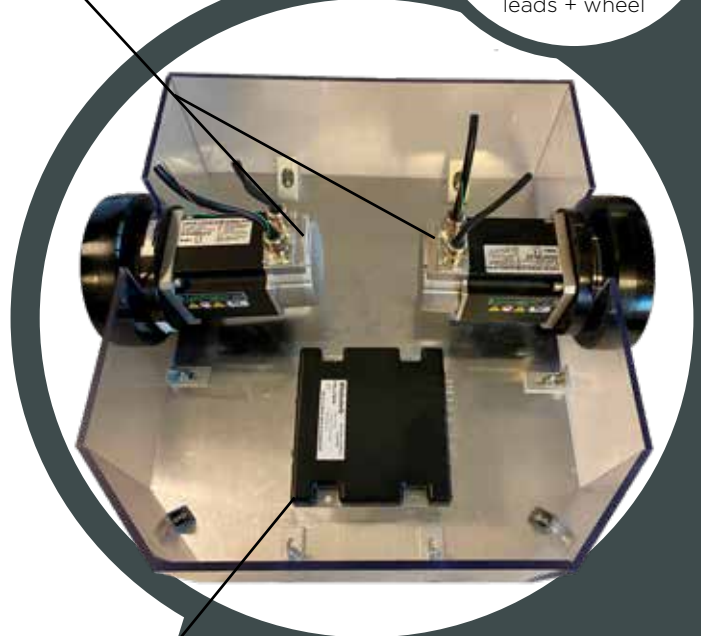


Our Medium Power Dual Channel, Motor Controllers, have advanced core technology, multiple connectivity options and scripting support. Up to 2 x 60A. Conduction cooling plate with ABS plastic cover. Supports trapezoidal commutation and sinusoidal mode with field oriented control.



Channels	2
Amps/CH	60
Volts	60
STO	No
Enc	Yes
Ethernet	No
FOC	YES

Both motors are fitted with a VRLZ090 type gearbox, 4096 incremental encoder and 0.50m flying leads + wheel



Solution Contains:
 2 x 089LDA30X braked motor
 2 x VRLZ090 gearbox
 2 x AGV Wheel
 1 x Dual channel drive
 1 x Drive control cable

Connect with us at:

www.controltechniquesdynamics.com
ctdsales@mail.nidec.com



© 2020 Control Techniques Dynamics Limited. The information contained in this leaflet is for guidance only and does not form part of any contract. The accuracy cannot be guaranteed as Control Techniques Dynamics Ltd have an ongoing process of development and reserve the right to change the specification of their products without notice.

Registered in England and Wales, Company Reg. No.741360