

Enquiry N°: 880

Created by: DB / Checked by: PP

SERVO MOTOR 089LDA300FGCJH100620-SGV1

AGV Solution Motor + Gearbox + Wheel



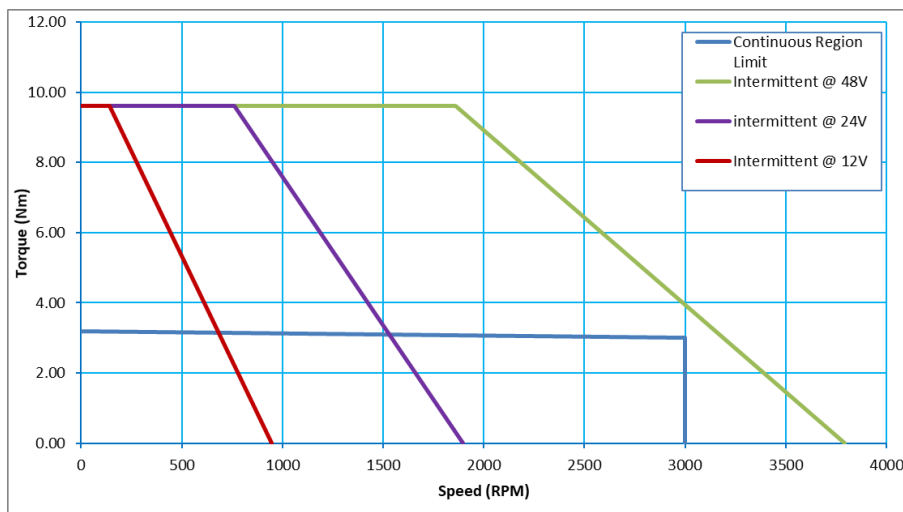
Definition

Type	Unimotor HD	
Frame Size (mm)	089	
Voltage	L	40-50V DC
Magnet type	D	D - High dynamic
Frame Length	A	
Speed (min-1)	30	3000 @ 48V - 1500 @ 24V
Brake	0	Unbraked
Connection type	F	Integrated Flying Cable
Output shaft	G	Integrated Gearbox Shaft
Feedback device code	CJ	CJ – Renco R35i encoder 4096 5PP push-pull comms
Inertia & thermistor	H	H – high inertia + no thermistor
PCD (Gbox)	100	100 (Gear box)
Shaft Diameter	620	G BOX output
	-	
Insulation class	F	
UL Motor / UL Stator	UL Stator	

Nominal characteristics

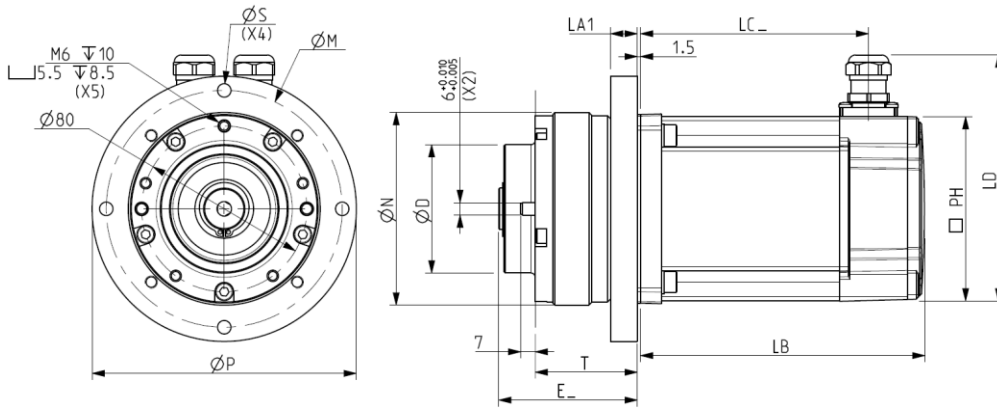
Motor Ambient Temperature (°C)	0 to 40	Motor Ambient Storage Temperature (°C)	-15 to 40
Motor Peak Torque (Nm)	9.6		
Motor Stall Torque (Nm)	3.2	Stall Current	23.0
Rated Torque (Nm)	3	Rated Current (A)	21.6
Rated Power (kW) @ 48V	0.94	Rated Power (kW) @ 24V	0.47
Winding Thermal Time Constant (s)	93	Kt (Nm/A)	0.14
Number of Poles	10	Ke (V/kmin-1)	8.5
Maximum Cogging (Nm)	0.1	R (ph-ph) (Ohm)	0.08
Inertia Motor + GBox (kg.cm ²)	6.5	L (ph-ph) (mH)	0.43
Ingress Protection Level (IP)	40	Weight (kg) Motor + gearbox	6.5
Intermittent Torque (Nm)	4.8 (S3 Duty)		
Intermittent Power (kW)	0.7 (S3 Duty)	Intermittent Current (A)	34.29 (S3 Duty)

Torque / speed graph



SERVO MOTOR 089LDA300FGCJH100620-SGV1

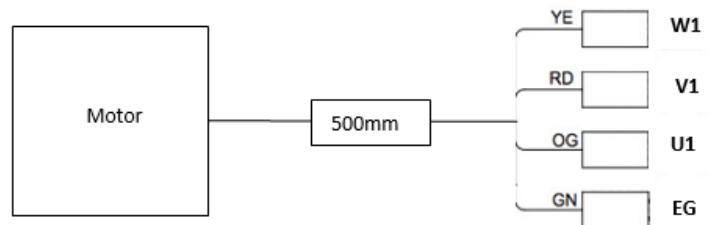
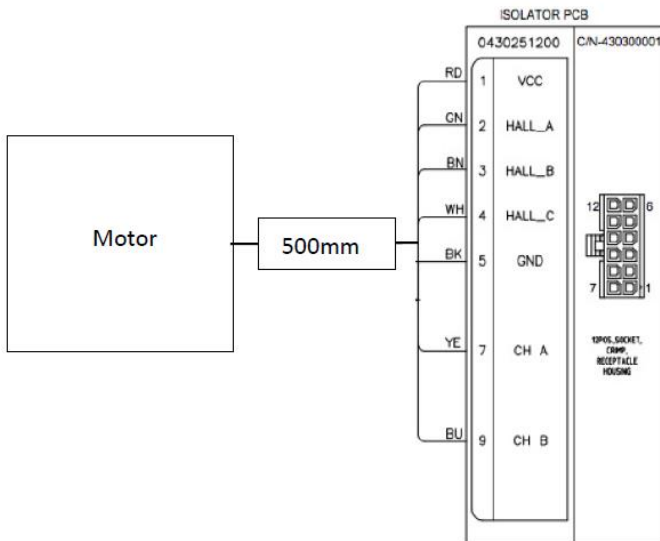
Motors (° & mm)



LB	Motor Total length	137.8
LC	Power connector position	110.0
LA1	Flange thickness	13
T	Register Length	49.5
N	Register Diameter	93 h7
LD	Connector overall height	~118.0
P	Flange Dia GBox	128
S	Fixing Hole Diameter	6.5
M	Fixing hole PCD	114.3
PH	Motor Housing Width	89
E	GBox Length	67.2
D	GBox Clearance Dia	62.7±0.07
	Motor+Gbox Total Length	206.5

Motor electrical interface Flying leads option:

Feedback device code:						Connection type:		
CJ – Renco R35i encoder 4096 5PP push-pull comms								
1	Red	Power	7	Yellow	CH A	1	U	Red (x 1)
2	Green	HALL A	8		-	2	V	Orange (x 1)
3	Brown	HALL B	9	Blue	CH B	3	W	Yellow (x 1)
4	White	HALL C	10			4	Earth	Green/Yellow (x 1)
5	Black	GND	11					
6	Red		12					
SIG Cable (28 AWG): 500mm (from gland to customer end) 12-Way MOLEX Connector 43025-1200						PWR Cable: 500mm (from gland to customer end) 4 cores of 12 AWG UL 1330 wire, with polyolefin heat shrink sleeve Shrouded Spade terminals fitted to lead wires		



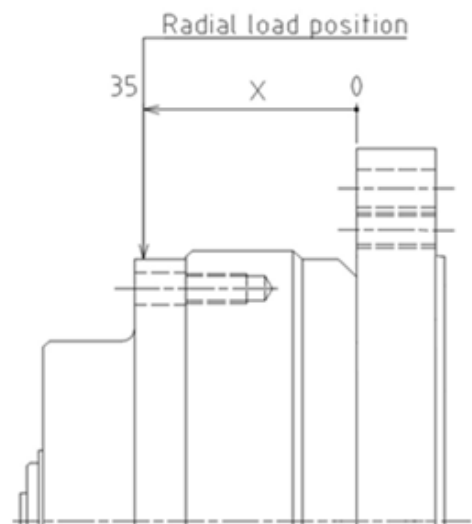
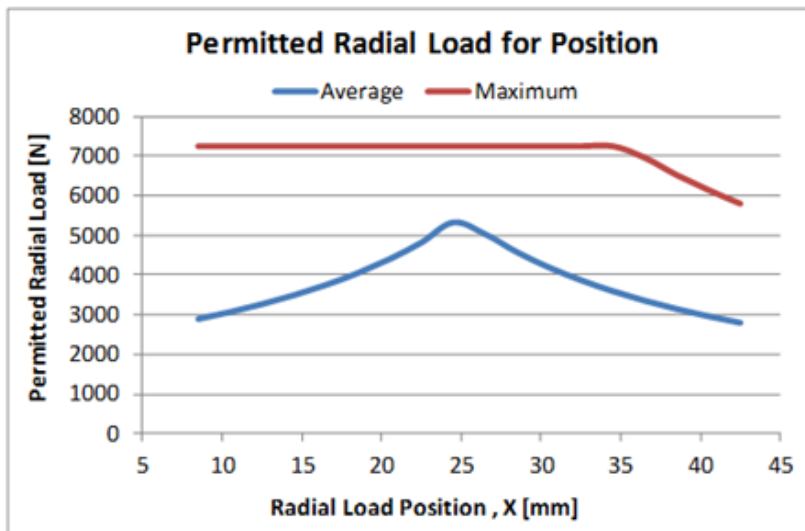
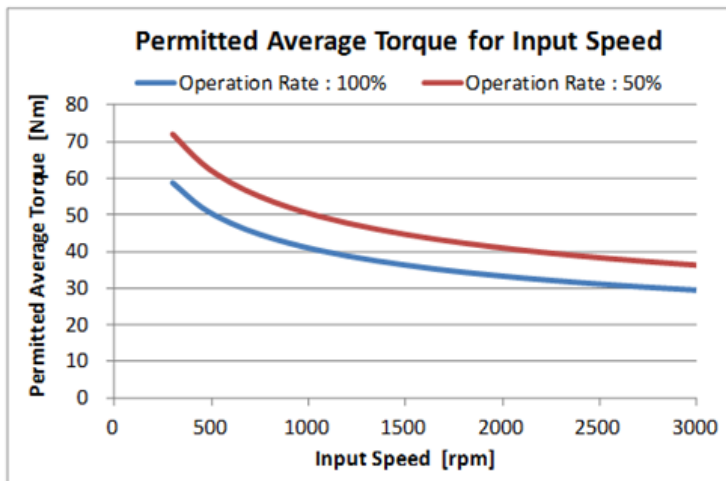
Enquiry N°: 880

Created by: DB / Checked by: PP

SERVO MOTOR 089LDA300FGCJH100620-SGV1

Gear Box characteristics

Ratio	9	Backlash (arc/min)	≤7
Stages	1	Radial Load (Fr, N) @ Fa=0, Input Speed Nom	3500
Inertia (kg.cm ²)	~0.2	Radial Load MAX (Fr, N)	7250
Weight (kg)	2.7	Axial Load (Fa, N) @ Fr=0, Input Speed Nom	2200
Efficiency	95%		

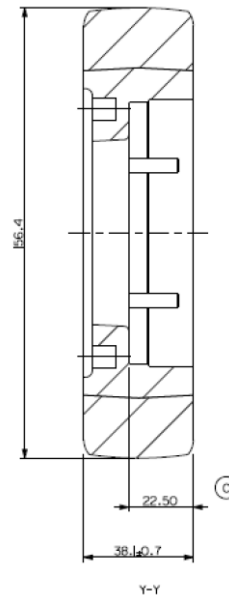
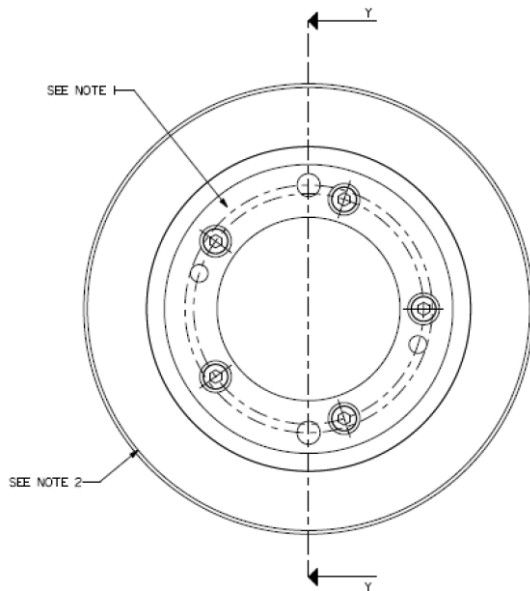


Enquiry N°: 880

Created by: DB / Checked by: PP

SERVO MOTOR 089LDA300FGCJH100620-SGV1

Wheel Specification



- NOTES:
1. CORE INFORMATION
 - MATERIAL: HT200 CAST IRON.
 - FINISH: PAINT BLACK.
 2. TYRE INFORMATION
 - MATERIAL: POLYESTER BASED POLYURETHENE
 - THERMOSET CASTABLE
 3. M5 x 15 CAP HEX B2P MOUNTING BOLTS (x5)