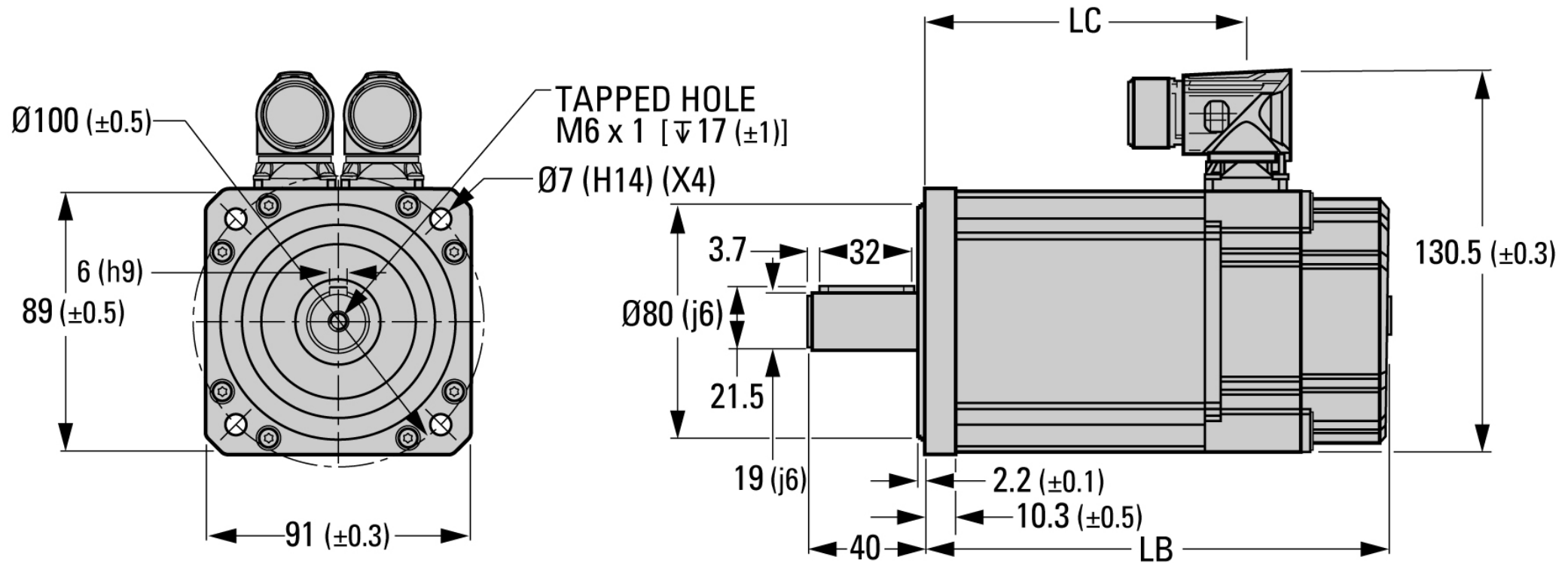


NH1-089AD & NH1-089LD: (mm)



$\Delta t = 100^\circ\text{C}$ winding 40°C maximum ambient

All data subject to $\pm 10\%$ tolerance

Stall torque, rated torque and power relate to maximum continuous operation tested in a 20°C ambient at **12 kHz drive switching frequency**

All other figures relate to a 20°C motor temperature.

Maximum intermittent winding temperature is 140°C

MOTOR DIMENSION (mm)

	Feedback CT*				Mounting bolts
	Unbraked length		Braked length		
	LB (± 0.9)	LC (± 1.0)	LB (± 0.9)	LC (± 1.0)	
089A	160.8	123.5	200.9	163.6	M6
089B	190.8	153.5	230.9	193.6	
089C	220.8	183.5	260.9	223.6	

*Incremental Encoder: CT = CT 4096