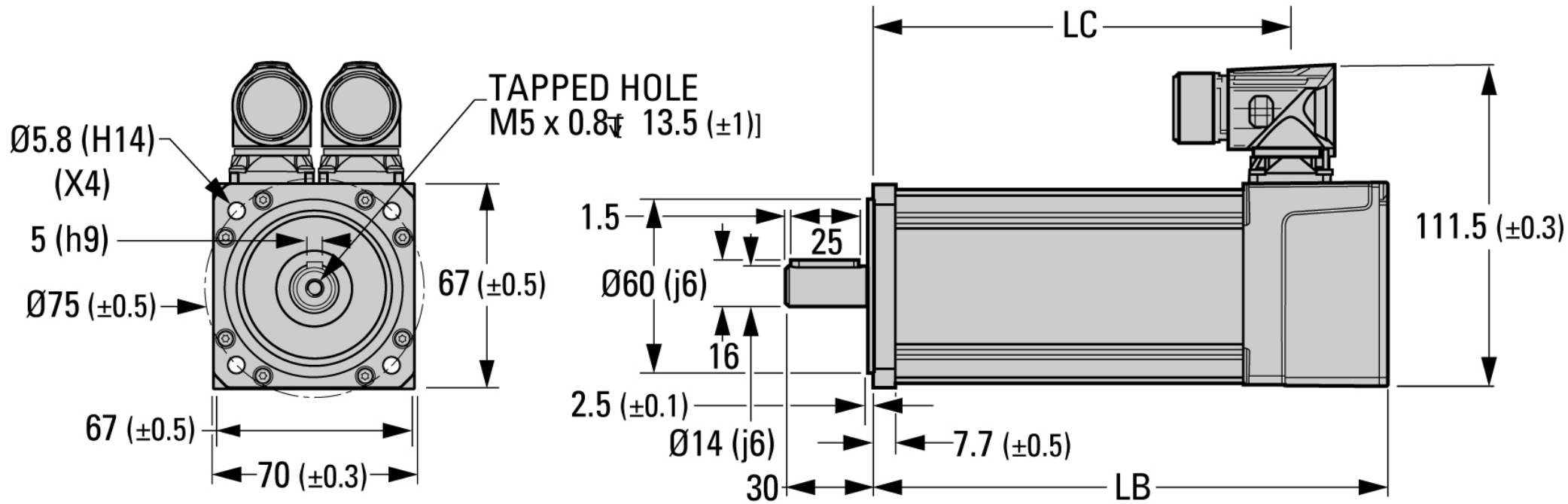


## NH1-067AD & NH1-067LD: (mm)



$\Delta t = 100^\circ\text{C}$  winding  $40^\circ\text{C}$  maximum ambient

All data subject to +/-10% tolerance

Stall torque, rated torque and power relate to maximum continuous operation tested in a  $20^\circ\text{C}$  ambient at **12 kHz drive switching frequency**

All other figures relate to a  $20^\circ\text{C}$  motor temperature.

Maximum intermittent winding temperature is  $140^\circ\text{C}$

## MOTOR DIMENSION (mm)

	Feedback CT*				Mounting bolts
	Unbraked length		Braked length		
	LB (± 0.9)	LC (± 1.0)	LB (± 0.9)	LC (± 1.0)	
067A	142.9	109	177.9	144	M5
067B	172.9	139	207.9	174	
067C	202.9	169	237.9	204	

\*Incremental Encoder: CT = CT 4096