

1:1 RATIO

PHONE: 516.328.3300 • FAX: 516.326.8827 • WWW.SDP-SI.COM

> MATERIAL:

- Housing** - Aluminum, Green Anodized
- Bevel Shafts** - Stainless Steel
- Bearings - Input** - Precision Sealed Ball Bearings
- Output** - Precision Sealed Ball Bearings



> LUBRICATION:

Greased for life

> OPERATING TEMPERATURE:

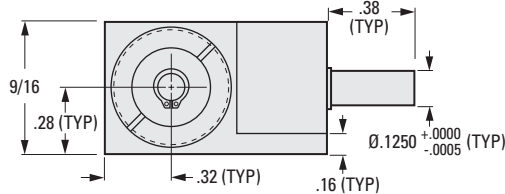
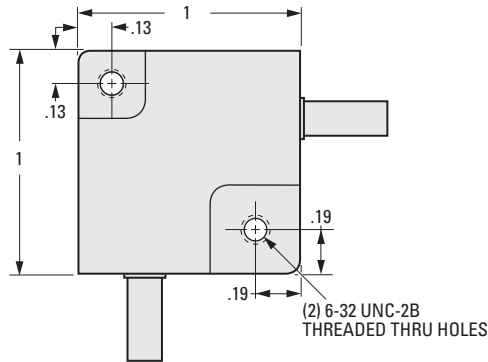
-5°F to 175°F

> SPECIFICATIONS:

- Maximum Input Speed:**
2000 rpm
- Backlash:** 1°
- Low Backlash:** .5° available

> WEIGHT:

.07 lb.



INCH COMPONENT	
Catalog Number	
S9914F-G16	
*S9914F-G16R	
S9914F-G16H	
*S9914F-G16L	

* Low Backlash: .5°

> OPERATING LIFE: Hours

Torque ozf in.	rpm					
	50	100	200	500	1000	2000
Catalog Number: S9914F-G16 and S9914F-G16R						
2	20000	20000	20000	20000	20000	18000
2.25	20000	20000	17000	6000	2600	1100
2.5	15000	7500	3650	1400	660	310
2.75	8100	4000	1950	740	350	160
3	4500	2200	1100	420	200	90
Catalog Number: S9914F-G16H and S9914F-G16L						
4	20000	20000	20000	20000	20000	11700
4.5	20000	20000	20000	9100	4000	1700
5	20000	9500	4500	1650	790	370
5.5	9500	4700	2300	880	420	190
6	5250	2500	1250	480	230	100
6.5	3100	1500	750	280	130	60
7	1900	940	450	170	80	40



1:1 RATIO

PHONE: 516.328.3300 • FAX: 516.326.8827 • WWW.SDP-SI.COM

> MATERIAL:

- Housing** - Aluminum, Green Anodized
- Bevel Shafts** - Stainless Steel
- Bearings - Input** - Precision Sealed Ball Bearings
- Output** - Precision Sealed Ball Bearings

> LUBRICATION:

Greased for life

> OPERATING TEMPERATURE:

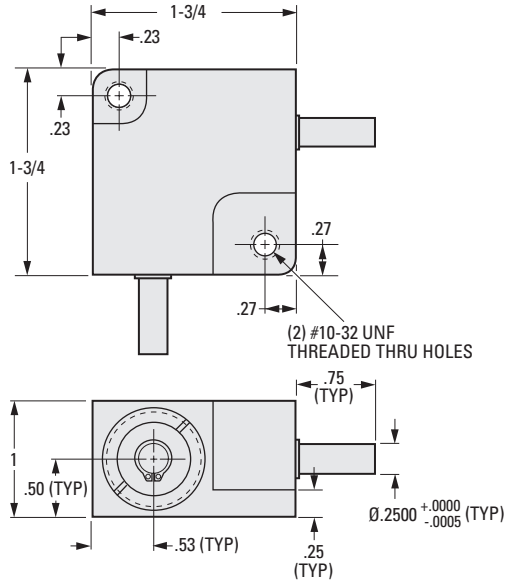
-5°F to +175°F

> SPECIFICATIONS:

- Maximum Input Speed:**
2000 rpm for S9914F-G24 & S9914F-G24H
3000 rpm for S9914F-G24S & S9914F-G24L
- Backlash:** 1°
- Low Backlash:** .5° available

> WEIGHT:

.46 lb.



INCH COMPONENT	
Catalog Number	
S9914F-G24	
S9914F-G24H	
S9914F-G24S	
*S9914F-G24L	

* Low Backlash: .5°

> OPERATING LIFE (HOURS):

Torque lbf in.	rpm						
	50	100	200	500	1000	2000	3000
Catalog Number: S9914F-G24							
2	20000	20000	20000	20000	20000	20000	—
2.5	20000	20000	20000	20000	12200	4800	—
3	20000	9400	4300	1550	740	330	—
3.5	6400	3150	1500	570	265	120	—
4	2700	1300	630	230	110	50	—
10	1800	900	450	170	80	35	—
Catalog Number: S9914F-G24H							
6	20000	20000	20000	20000	20000	20000	—
7	20000	20000	20000	20000	20000	16000	—
8	20000	20000	20000	10500	4500	1800	—
9	20000	10000	4600	1650	750	340	—
10	9100	4500	2150	810	480	175	—
11	4900	2400	1200	430	200	90	—
12	2700	1330	650	240	110	50	—
Catalog Number: S9914F-G24S and S9914F-G24L							
15	20000	20000	20000	20000	20000	20000	14300
16	20000	20000	20000	20000	20000	9000	5000
17	20000	20000	20000	20000	8600	3300	1860
18	20000	20000	20000	8200	3400	1320	730
19	20000	20000	10000	3400	1400	550	305



1:1 RATIO

PHONE: 516.328.3300 • FAX: 516.326.8827 • WWW.SDP-SI.COM

> MATERIAL:

- Housing** - Aluminum, Green Anodized
- Bevel Shafts** - Stainless Steel
- Bearings - Input** - Precision Sealed Ball Bearings
- Output** - Precision Sealed Ball Bearings

> LUBRICATION:

Greased for life

> OPERATING TEMPERATURE:

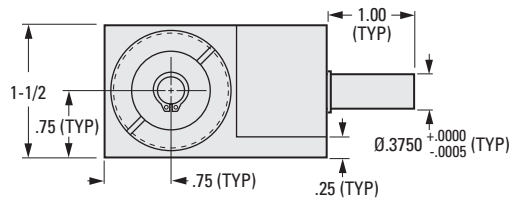
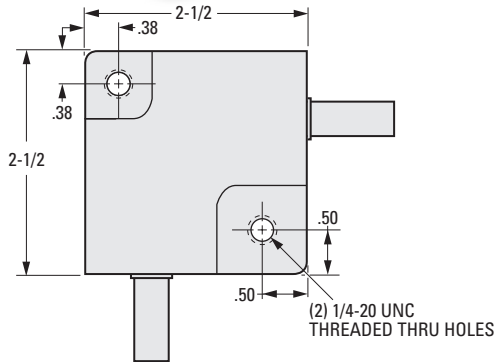
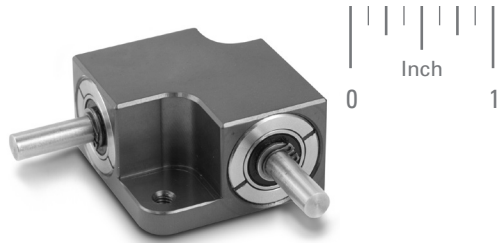
-5°F to 175°F

> SPECIFICATIONS:

- Maximum Input Speed:**
2000 rpm for S9914F-G31 & S9914F-G31H
3000 rpm for S9914F-G31S & S9914F-G31L
- Backlash:** 1°
- Low Backlash:** .5° available

> WEIGHT:

1.35 lb.



INCH COMPONENT	
Catalog Number	
S9914F-G31	
S9914F-G31H	
S9914F-G31S	
*S9914F-G31L	

* Low Backlash: .5°

> OPERATING LIFE: Hours

Torque lbf in.	rpm						
	50	100	200	500	1000	2000	3000
Catalog Number: S9914F-G31							
6	20000	20000	20000	20000	20000	20000	—
6.5	20000	20000	20000	20000	9100	3000	—
7	20000	20000	11400	3500	1300	435	—
7.5	9600	4300	1880	570	210	70	—
8	1750	800	350	105	38	15	—
Catalog Number: S9914F-G31H							
13	20000	20000	20000	20000	20000	20000	—
14	20000	20000	20000	20000	19000	7500	—
15	20000	20000	20000	15000	6200	2450	—
16	20000	20000	15500	5300	2200	850	—
17	20000	12500	5800	1950	825	375	—
18	13800	6750	3100	1200	560	250	—
19	9600	4700	2280	850	395	180	—
20	6900	3300	1620	600	280	125	—
Catalog Number: S9914F-G31S and S9914F-G31L							
25	20000	20000	20000	20000	20000	20000	20000
26	20000	20000	20000	20000	20000	20000	12000
27	20000	20000	20000	20000	20000	12000	6700
28	20000	20000	20000	20000	17600	6800	3700
29	20000	20000	20000	20000	10000	3800	2100
30	20000	20000	20000	14000	5800	2200	1200
31	20000	20000	20000	8200	3300	1250	700
32	20000	20000	15000	4900	2000	760	340

