



DOWNLOAD BROCHURE



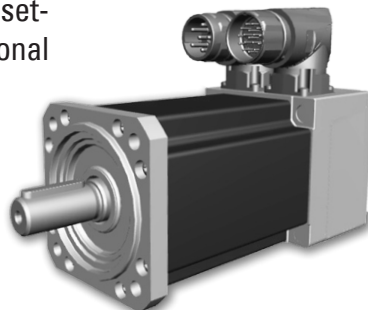
### For Use Where Rapid Acceleration & Deceleration are Required

Designed for demanding applications the highly-efficient Brush-less DC Motor, the AD / LD series delivers proven performance and reliability. They are ideal for precision applications such as an Automated Guided Vehicle (AGV), portable medical device, robot, industrial automation, laboratory, and agricultural equipment.

### A Compact Servo Motor Design

Designed to deliver high power in a small footprint the AD /LD motors are easily integrated in new or existing systems.

Their direct mounting design reduces set-up time and the need for any additional parts.



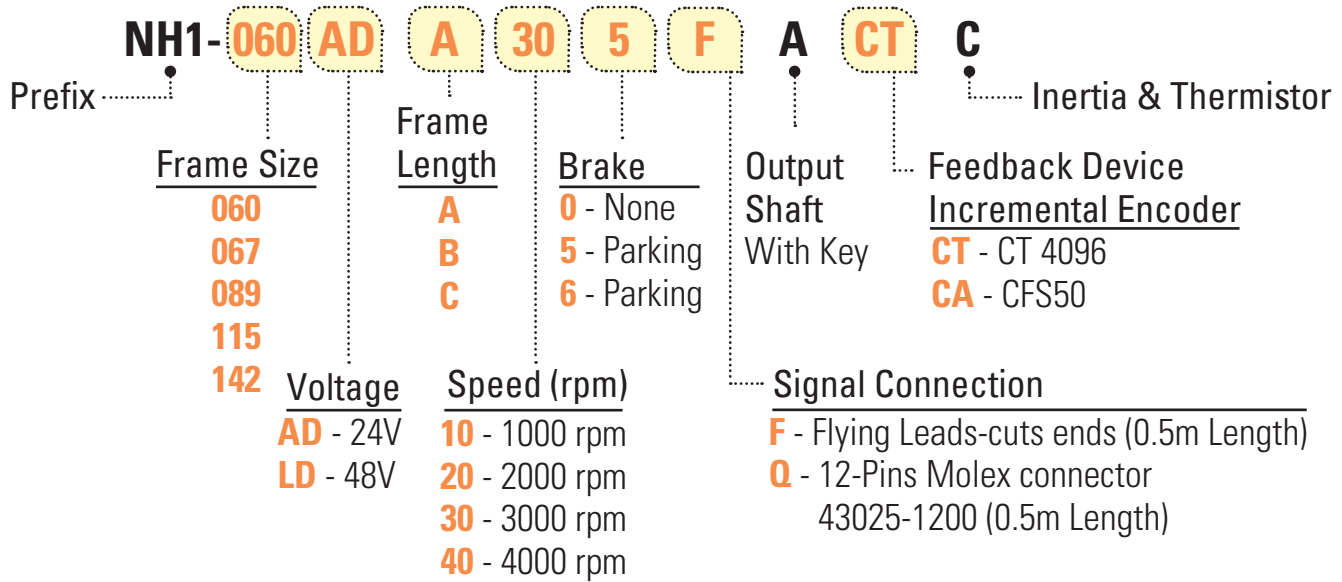
### Features

- **Torque range: from 0.64 Nm to 10.2 Nm**
- **24Vdc and 48Vdc**
- **Connector variants**
- **Metric IEC Frame sizes: 060, 067, 089, 115, and 142**
- **Various shaft diameters, keyed or plain**
- **Brake and gearhead options**
- **Rated speeds from 1,000 to 6,000 rpm**
- **Thermal protection by a KTY84/130 sensor**
- **Feedback option for desired accuracy and resolution**
- **Standard IP50 rated and IP65 rating with optional connectors**
- **All-in-one-solution**

# Ordering Information for Brushless DC Motors – AD/LD 24Vdc and 48Vdc



SETTING IDEAS INTO MOTION



Products shown below are available off-the-shelf / fast turnaround, for the entire range of products and specification go to: <https://sdp-si.com/products/motors-gearheads-and-motion-control/>

SDP/SI Part Number	Prefix Frame Size	Voltage Vdc 24, 48 (AD,LD)	Frame Length (A,B,C)	Unbraked Length		Braked Length		Rated Speed rpm (10, 15, 20, 30, 60)	Brake (0,5,6)	Signal Conn. Flying Leads (F, Q)	Feedback Options Encoder (CT, CA)
				LB	LC	LB	LC				
NH1-060ADB300FACTC	060	AD	B	102.5	86.5	139.5	123.5	30	0	F	A
NH1-067ADA300FACTC	067	AD	A	142.9	109	177.9	144	30	0	F	A
NH1-067ADC150FACTC	067	AD	C	202.9	169	237.9	204	15	0	F	A
NH1-089LDA300FACTC	089	LD	A	160.8	123.5	200.9	163.6	30	0	F	A
NH1-089LDC100FACTC	089	LD	C	220.8	183.5	260.9	223.6	10	0	F	A
NH1-115LDB200FACAC	115	LD	B	206.8	167	243.9	204.1	20	0	F	A
NH1-142LDA200FACTC	142	LD	A	157.3	122.5	255.8	221	20	0	F	A
NH1-142LDA200FACAC	142	LD	A	157.3	122.5	255.8	221	20	0	F	A

## Engineered Motion Solutions by SDP/SI

SDP/SI is a leading manufacturer of precision gears and superior mechanical components for robotics and automation applications. With over 70 years of experience we provide problem solving solutions – from gearing and actuation to motors, drives, and controls. With over 87,000 standard component options and custom capabilities we look forward to meeting your motion needs.

## Let's Set Your Project into Motion

Contact SDP/SI to discuss your application and how we can help set your ideas into motion!

W: <https://sdp-si.com> | 250 Duffy Ave., Hicksville, NY 11801 USA (516) 302-2249 | E: [sdp-simotors@sdp-si.com](mailto:sdp-simotors@sdp-si.com)