

SDPSI

Inch

Inch

Inch

Inch

Inch

Inch

Inch

Inch

Inch

HTD® Timing Belt Pulleys - 5 mm Pitch

Stock Drive Products/Sterling Instrument

Phone: 516-328-3300

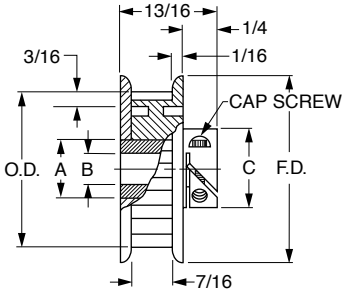
Fax: 516-326-8827

■ MOLDED WITH FAIRLOC® HUB

■ **TRUE METRIC®** PROFILE

■

■ DOUBLE FLANGE

**FOR 9 mm BELTS (.354 INCH)**

MATERIAL: Pulley – Polycarbonate, Fiberglass Reinforced
Hub – Aluminum Alloy, Overmolded

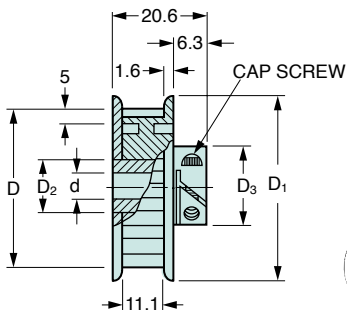
Catalog Number	No. of Grooves	P.D.	O.D.	F.D.	B Bore +.001 -.000	A Dia.	C Hub Dia.	Cap Screw
A 6H25-011DF0906	11	.689	.644	.87	.250	3/8	1/2	#2-56
A 6H25-012DF0906	12	.752	.707	.93				
A 6H25-013DF0906	13	.815	.770	.99				
A 6H25-014DF0908	14	.877	.832	1.06		1/2	3/4	#4-40
A 6H25-015DF0908	15	.940	.895	1.19				
A 6H25-016DF0908	16	1.003	.958	1.19				
A 6H25-017DF0908	17	1.065	1.020	1.24				
A 6H25-018DF0908	18	1.128	1.083	1.31				
A 6H25-019DF0908	19	1.191	1.146	1.38				
A 6H25-020DF0908	20	1.253	1.208	1.44		1/2	7/8	#4-40
A 6H25-022DF0908	22	1.379	1.334	1.57				
A 6H25-025DF0908	25	1.566	1.521	1.76				
A 6H25-028DF0908	28	1.754	1.709	1.95				
A 6H25-029DF0908	29	1.817	1.772	2.02				
A 6H25-030DF0908	30	1.880	1.835	2.08				
A 6H25-040DF0910	40	2.506	2.461	2.71	.3125			
A 6H25-050DF0910	50	3.133	3.088	3.29				

NOTE: Pulleys with 11 to 19 grooves do not have webs.

SDPSI**HTD® Timing Belt Pulleys - 5 mm Pitch**

Stock Drive Products/Sterling Instrument ■ Phone: 516-328-3300 ■ Fax: 516-326-8827

- MOLDED WITH FAIRLOC® HUB ■ **TRUE METRIC®** PROFILE ■ SINGLE FLANGE



FOR 9 mm BELTS

MATERIAL: Pulley – Polycarbonate, Fiberglass Reinforced
Hub – Aluminum Alloy, Overmolded

Catalog Number	No. of Grooves	P.D.	D	D ₁	d Bore +0.025	D ₂	D ₃ Hub Dia.	Cap Screw			
A 6H25M011DF0904	11	17.5	16.4	22	6	9.5	12.7	M2.5			
A 6H25M012DF0904	12	19.1	18	24							
A 6H25M013DF0904	13	20.7	19.5	25							
A 6H25M014DF0906	14	22.3	21.1	27		12.7	19.1	M2.5			
A 6H25M015DF0906	15	23.9	22.7	30							
A 6H25M016DF0906	16	25.5	24.3	30							
A 6H25M017DF0906	17	27.1	25.9	32							
A 6H25M018DF0906	18	28.6	27.5	33							
A 6H25M019DF0906	19	30.2	29.1	35							
A 6H25M020DF0906	20	31.8	30.7	37		12.7	19.1	M2.5			
A 6H25M022DF0906	22	35	33.9	40							
A 6H25M025DF0906	25	39.8	38.6	45							
A 6H25M028DF0906	28	44.6	43.4	50		12.7	22.2	M2.5			
A 6H25M029DF0906	29	46.2	45	51							
A 6H25M030DF0906	30	47.7	46.6	53							
A 6H25M040DF0908	40	63.7	62.5	69					8	15.9	22.2
A 6H25M050DF0908	50	79.6	78.4	84							

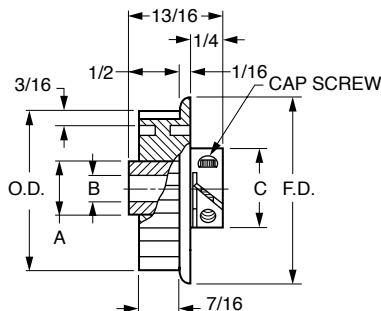
NOTE: Pulleys with 11 to 19 grooves do not have webs.

SDPSI

Inch Inch Inch Inch Inch Inch Inch Inch Inch

HTD® Timing Belt Pulleys - 5 mm Pitch

Stock Drive Products/Sterling Instrument ■ Phone: 516-328-3300 ■ Fax: 516-326-8827

■ MOLDED WITH FAIRLOC® HUB ■ **TRUE METRIC®** PROFILE ■ SINGLE FLANGE**FOR 9 mm BELTS (.354 INCH)**

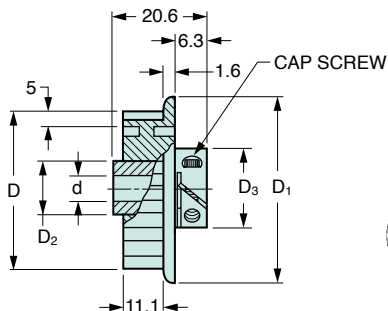
MATERIAL: Pulley – Polycarbonate, Fiberglass Reinforced
Hub – Aluminum Alloy, Overmolded

Catalog Number	No. of Grooves	P.D.	O.D.	F.D.	B Bore +.001 -.000	A Dia.	C Hub Dia.	Cap Screw
A 6H25-011SF0906	11	.689	.644	.87	.1875	3/8	1/2	#2-56
A 6H25-012SF0906	12	.752	.707	.93				
A 6H25-013SF0906	13	.815	.770	.99				
A 6H25-014SF0908	14	.877	.832	1.06	.250	1/2	3/4	#4-40
A 6H25-015SF0908	15	.940	.895	1.19				
A 6H25-016SF0908	16	1.003	.958	1.19				
A 6H25-017SF0908	17	1.065	1.020	1.24		1/2	3/4	#4-40
A 6H25-018SF0908	18	1.128	1.083	1.31				
A 6H25-019SF0908	19	1.191	1.146	1.38				
A 6H25-020SF0908	20	1.253	1.208	1.44	.3125	1/2	7/8	#4-40
A 6H25-022SF0908	22	1.379	1.334	1.57				
A 6H25-025SF0908	25	1.566	1.521	1.76				
A 6H25-028SF0908	28	1.754	1.709	1.95		1/2	7/8	#4-40
A 6H25-029SF0908	29	1.817	1.772	2.02				
A 6H25-030SF0908	30	1.880	1.835	2.08				
A 6H25-040SF0910	40	2.506	2.461	2.71	.3125	5/8	7/8	#4-40
A 6H25-050SF0910	50	3.133	3.088	3.29				

NOTE: Pulleys with 11 to 19 grooves do not have webs.

SDPSI**HTD® Timing Belt Pulleys - 5 mm Pitch**

Stock Drive Products/Sterling Instrument ■ Phone: 516-328-3300 ■ Fax: 516-326-8827

■ MOLDED WITH FAIRLOC® HUB ■ **TRUE METRIC®** PROFILE ■ SINGLE FLANGE

FOR 9 mm BELTS

MATERIAL: Pulley – Polycarbonate, Fiberglass Reinforced
Hub – Aluminum Alloy, Overmolded

Catalog Number	No. of Grooves	P.D.	D	D ₁	d Bore +0.025	D ₂	D ₃ Hub Dia.	Cap Screw
A 6H25M011SF0904	11	17.5	16.4	22	4	9.5	12.7	M2.5
A 6H25M012SF0904	12	19.1	18	24				
A 6H25M013SF0904	13	20.7	19.5	25				
A 6H25M014SF0906	14	22.3	21.1	27	6	12.7	19.1	M2.5
A 6H25M015SF0906	15	23.9	22.7	30				
A 6H25M016SF0906	16	25.5	24.3	30				
A 6H25M017SF0906	17	27.1	25.9	32				
A 6H25M018SF0906	18	28.6	27.5	33				
A 6H25M019SF0906	19	30.2	29.1	35				
A 6H25M020SF0906	20	31.8	30.7	37				
A 6H25M022SF0906	22	35	33.9	40				
A 6H25M025SF0906	25	39.8	38.6	45				
A 6H25M028SF0906	28	44.6	43.4	50				
A 6H25M029SF0906	29	46.2	45	51	12.7	22.2		
A 6H25M030SF0906	30	47.7	46.6	53				
A 6H25M040SF0908	40	63.7	62.5	69	8	15.9	22.2	
A 6H25M050SF0908	50	79.6	78.4	84				

NOTE: Pulleys with 11 to 19 grooves do not have webs.