

SDPSI

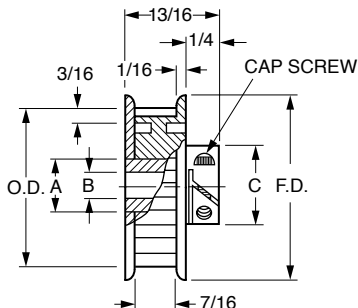
Inch Inch Inch Inch Inch Inch Inch Inch Inch

XL Timing Belt Pulleys - 1/5" Pitch

Stock Drive Products/Sterling Instrument ■ Phone: 516-328-3300 ■ Fax: 516-326-8827

■ MOLDED WITH FAIRLOC® HUB

■ DOUBLE FLANGE



FOR 3/8" BELTS

MATERIAL: Pulley – Polycarbonate, Fiberglass Reinforced
Hub – Aluminum Alloy, Overmolded

Catalog Number	No. of Grooves	P.D.	O.D.	F.D.	B Bore +.001 -.000	A Dia.	C Hub Dia.	Cap Screw
A 6H 3-10DF03706	10	.637	.617	.87	.1875	3/8	1/2	#2-56
A 6H 3-11DF03706	11	.700	.680	.93				
A 6H 3-12DF03706	12	.764	.744	.99				
A 6H 3-13DF03706	13	.828	.808	1.06	.250	1/2	3/4	#4-40
A 6H 3-14DF03708	14	.891	.871	1.12				
A 6H 3-15DF03708	15	.955	.935	1.19				
A 6H 3-16DF03708	16	1.019	.999	1.24	1/2	3/4	#4-40	#4-40
A 6H 3-17DF03708	17	1.082	1.062	1.31				
A 6H 3-18DF03708	18	1.146	1.126	1.38				
A 6H 3-19DF03708	19	1.210	1.190	1.44	1/2	7/8	#4-40	#4-40
A 6H 3-20DF03708	20	1.273	1.253	1.51				
A 6H 3-21DF03708	21	1.337	1.317	1.57				
A 6H 3-22DF03708	22	1.401	1.381	1.63	.3125	1/2	7/8	#4-40
A 6H 3-23DF03708	23	1.464	1.444	1.69				
A 6H 3-24DF03708	24	1.528	1.508	1.76				
A 6H 3-25DF03708	25	1.592	1.572	1.82	1/2	7/8	#4-40	#4-40
A 6H 3-26DF03708	26	1.655	1.635	1.89				
A 6H 3-27DF03708	27	1.719	1.699	1.95				
A 6H 3-28DF03708	28	1.783	1.763	2.02	5/8	7/8	#4-40	#4-40
A 6H 3-29DF03708	29	1.846	1.826	2.08				
A 6H 3-30DF03710	30	1.910	1.890	2.14				
A 6H 3-31DF03710	31	1.974	1.954	2.20	.3125	5/8	7/8	#4-40
A 6H 3-32DF03710	32	2.037	2.017	2.27				
A 6H 3-33DF03710	33	2.101	2.081	2.33				
A 6H 3-34DF03710	34	2.165	2.145	2.40	5/8	7/8	#4-40	#4-40
A 6H 3-35DF03710	35	2.228	2.208	2.46				
A 6H 3-36DF03710	36	2.292	2.272	2.53				
A 6H 3-37DF03710	37	2.355	2.335	2.59	.3125	5/8	7/8	#4-40
A 6H 3-38DF03710	38	2.419	2.399	2.66				
A 6H 3-39DF03710	39	2.483	2.463	2.71				
A 6H 3-40DF03710	40	2.546	2.526	2.78	5/8	7/8	#4-40	#4-40
A 6H 3-42DF03710	42	2.674	2.654	2.92				
A 6H 3-44DF03710	44	2.801	2.781	3.04				
A 6H 3-48DF03710	48	3.056	3.036	3.29				

NOTE: Pulleys with 10 to 21 grooves do not have webs.

