

SDPSI

Inch

Inch

Inch

Inch

Inch

Inch

Inch

Inch

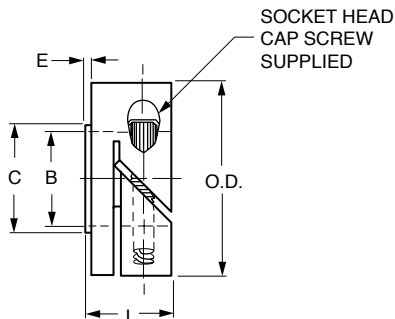
Inch

Fairloc® Shaft Collars

Stock Drive Products/Sterling Instrument

Phone: 516-328-3300

Fax: 516-326-8827

■ WITH INTEGRAL BEARING SHIM SPACER**FEATURES:**

- No shim spacers required
- Used to preload bearing
- Fairloc® eliminates marred shafts
- More holding strength than set screw collars

MATERIAL: Brass, Black Oxide Finish
303 Stainless Steel

Catalog Number		Shaft Size	O.D.	B Bore +.0010 -.0000	C	E	L	Screw Size
Brass-Black Oxide	303 Stainless Steel							
S25FB9-PC12015	S25FY9-PC12015	.12	.433	.1200	.189	.020	.276	#2-56
S25FB9-PC12515	S25FY9-PC12515	1/8	.433	.1250	.189			
S25FB9-PC18715	S25FY9-PC18715	3/16	.495	.1875	.250			
S25FB9-PC25021	S25FY9-PC25021	1/4	.630	.2500	.315	.020	.354	#4-40
S25FB9-PC31227	S25FY9-PC31227	5/16	.870	.3125	.394			
S25FB9-PC37527	S25FY9-PC37527	3/8	.870	.3750	.438			
S25FB9-PC50031	S25FY9-PC50031	1/2	.984	.5000	.578	.020	.433	#6-32
S25FB9-PC62537	S25FY9-PC62537	5/8	1.181	.6250	.750			
S25FB9-PC75047	S25FY9-PC75047	3/4	1.496	.7500	.866			
						.030	.551	#8-32
						.030	.630	#10-32

Did You Know?

... That we have a well-equipped modern machine shop with state-of-the-art production machinery?

We can handle custom products made to your specifications as well as catalog items.

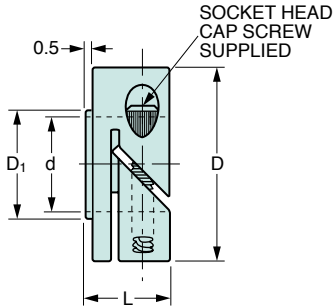
SDPSI

Metric Metric Metric Metric Metric Metric Metric

Fairloc® Shaft Collars

Stock Drive Products/Sterling Instrument ■ Phone: 516-328-3300 ■ Fax: 516-326-8827

■ WITH INTEGRAL BEARING SHIM SPACER

**FEATURES:**

- No shim spacers required
- Used to preload bearing
- Fairloc® eliminates marred shafts
- More holding strength than set screw collars

MATERIAL: Brass, Black Oxide Finish
303 Stainless Steel

Catalog Number		Shaft Size	d* H8	D	L	D ₁	Screw Size
Brass – Black Oxide	303 Stainless Steel						
S25FB9MPC0311	S25FY9MPC0311	3	3	11	7	5	M2
S25FB9MPC0412	S25FY9MPC0412	4	4	12.5	7	6	M2
S25FB9MPC0516	S25FY9MPC0516	5	5	16	9	7	M2.5
S25FB9MPC0616	S25FY9MPC0616	6	6	16	9	8	M2.5
S25FB9MPC0822	S25FY9MPC0822	8	8	22	11	10	M3
S25FB9MPC1025	S25FY9MPC1025	10	10	25	11	12	M3
S25FB9MPC1225	S25FY9MPC1225	12	12	25	11	14	M3
S25FB9MPC1530	S25FY9MPC1530	15	15	30	14	19	M4
S25FB9MPC2038	S25FY9MPC2038	20	20	38	16	22	M5

*Bore Tolerances:
 3 mm +0.014
 4, 5 & 6 mm +0.018
 8 & 10 mm +0.022
 12 & 15 mm +0.027
 20 mm +0.033

Did You Know?

That Fairloc® is a specially designed hub fastening device that has many unique advantages over set screw or keyway methods? See page 67 for a full explanation.