

1-1/16 OUTSIDE DIAMETER  
 PAT. #3,272,290  
 DOUBLE END  
 BALL BEARINGS  
 A & B SHAFTS COUPLED WHEN ENERGIZED  
 B SHAFT BRAKED WHEN DE-ENERGIZED

PHONE: 516.328.3300 • FAX: 516.326.8827 • WWW.SDP-SI.COM



► SPECIFICATIONS (At 24 to 28V DC):

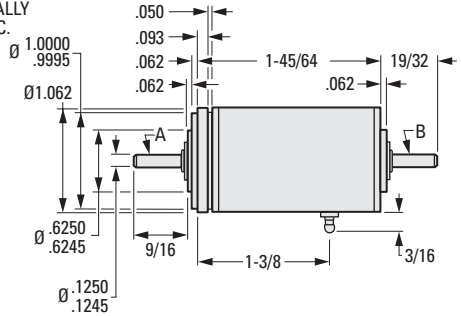
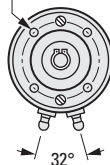
**Breakaway Torque (Energized):** .15 ozf in.  
**Breakaway Torque (De-Energized):** .05 ozf in.  
**Inertia (De-Energized):** .013 oz. in.<sup>2</sup>  
**Inertia (Energized):** .029 oz. in.<sup>2</sup>  
**Max. Backlash (Engaged) Friction Types:** 5 arc min.  
**Max. Backlash (Engaged) Crown Tooth Types:** 10 arc min.  
**Power Consumption at 24V DC:** 3.5 watts

► WEIGHT:

4.5 oz. (TYPICAL)



#4-40 UNC-2B TAP  
 X 1/8 DP. 4 HOLES EQUALLY  
 SPACED ON A Ø.812 B.C.



**INCH COMPONENT**

Catalog Number	Coupling Type	Output Torque ozf in.	Brake Type	Brake Torque ozf in.
S9011A-T509	Friction	24	—	—
S9011A-T515	Crown Tooth	70	—	—
S9011A-T516	Friction	18	Friction	8
S9011A-T517	Crown Tooth	70	Friction	8

1-1/16 OUTSIDE DIAMETER  
 PAT. #3,272,290  
 SINGLE END  
 BALL BEARINGS

PHONE: 516.328.3300 • FAX: 516.326.8827 • WWW.SDP-SI.COM



**> SPECIFICATIONS (AT 24 TO 28V DC):**

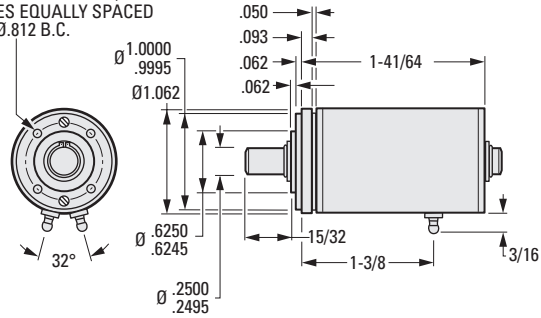
- Breakaway Torque (Energized):** .05 ozf in. (REVERSE)
- Breakaway Torque (De-Energized):** .05 ozf in. (MAGNETIC)
- Max. Backlash (Engaged) Friction Types:** 5 arc min.
- Max. Backlash (Engaged) Crown Tooth Types:** 10 arc min.

**> WEIGHT:**

4.5 oz. (TYPICAL)



#4-40 UNC-2B TAP X 1/8 DP.  
 4 HOLES EQUALLY SPACED  
 ON A Ø.812 B.C.



**INCH COMPONENT**

Catalog Number	Coupling Type	Brake Torque ozf in.	Braked When	Power Consumption At 24V DC watts	Inertia oz. in. <sup>2</sup>
S9011A-T523	Friction	20	Energized	3.5	.012
S9011A-T525	Crown Tooth	70	Energized	3.5	.012
S9011A-T528	Friction	16	De-Energized	3.5	.024
S9011A-T529	Crown Tooth	70	De-Energized	6.0	.024

1-3/4 OUTSIDE DIAMETER

PHONE: 516.328.3300 • FAX: 516.326.8827 • WWW.SDP-SI.COM

PAT. #3,272,290

DOUBLE END

BALL BEARINGS

A & B SHAFTS COUPLED WHEN ENERGIZED

B SHAFT BRAKED WHEN DE-ENERGIZED



► **SPECIFICATIONS (At 24 to 28V DC):**

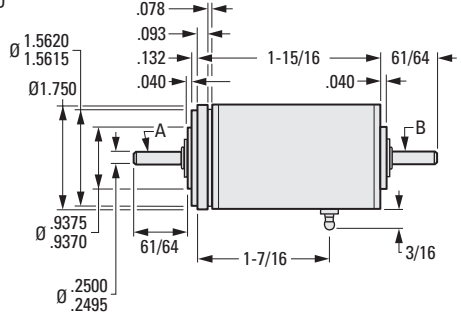
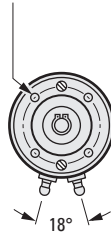
- Breakaway Torque (Energized):** .20 ozf in.
- Breakaway Torque (De-Energized):** .03 ozf in.
- Max. Backlash (Engaged):** 5 arc min.
- Power Consumption At 24V DC:** 3.2 watts



► **WEIGHT:**

13 oz. (TYPICAL)

#4-40 UNC-2B TAP X 1/4 DP.  
4 HOLES EQUALLY SPACED  
ON A Ø1.250 B.C.



**INCH COMPONENT**

Catalog Number	Coupling Type	Output Torque ozf in.	Brake Type	Brake Torque ozf in.	Inertia De-Energized oz. in. <sup>2</sup>	Inertia Energized oz. in. <sup>2</sup>
S9018A-T500	Friction	50	—	—	.041	.076
S9018A-T503	Crown Tooth	100	—	—	.041	.076
S9018A-T501	Friction	50	Friction	16	.071	.105
S9018A-T504	Crown Tooth	100	Friction	16	.071	.105

1-3/4 OUTSIDE DIAMETER

PHONE: 516.328.3300 • FAX: 516.326.8827 • WWW.SDP-SI.COM

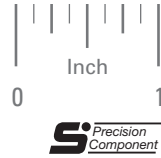
PAT. #3,272,290

DUPLEX END

BALL BEARINGS

A & B SHAFTS COUPLED WHEN ENERGIZED

B SHAFT BRAKED WHEN DE-ENERGIZED



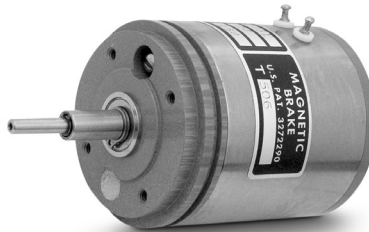
➤ **SPECIFICATIONS (At 24 to 28V DC):**

**Breakaway Torque (Energized):** .20 ozf in.

**Breakaway Torque (De-Energized):** .03 ozf in.

**Max. Backlash (Engaged):** 5 arc min.

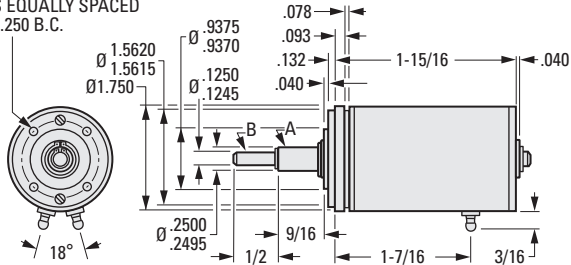
**Power Consumption At 24V DC:** 3.7 watts



➤ **WEIGHT:**

13 oz. (TYPICAL)

#4-40 UNC-2B TAP X 1/4 DP.  
4 HOLES EQUALLY SPACED  
ON A Ø1.250 B.C.



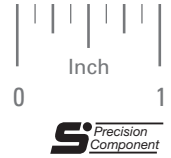
**INCH COMPONENT**

Catalog Number	Coupling Type	Output Torque ozf in.	Brake Type	Brake Torque ozf in.	Inertia De-Energized oz. in. <sup>2</sup>	Inertia Energized oz. in. <sup>2</sup>
S9018A-T502	Friction	50	—	—	.038	.072
S9018A-T521	Crown Tooth	100	—	—	.038	.072
S9018A-T506	Friction	50	Friction	16	.071	.105
S9018A-T524	Crown Tooth	100	Friction	16	.071	.105



1-3/4" OUTSIDE DIAMETER  
 PAT. #3,272,290  
 DUPLEX END  
 BALL BEARINGS  
 A & B SHAFTS COUPLED WHEN DE-ENERGIZED  
 B SHAFT BRAKED WHEN ENERGIZED

PHONE: 516.328.3300 • FAX: 516.326.8827 • WWW.SDP-SI.COM

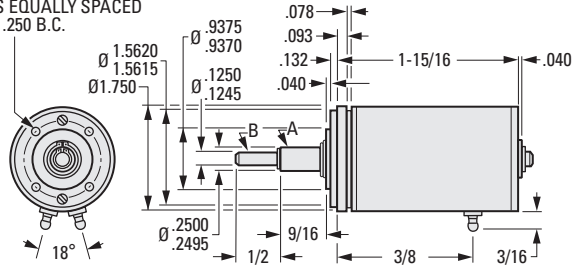


► **SPECIFICATIONS (At 24 to 28V DC):**  
**Breakaway Torque (Energized):** .05 ozf in.  
**Breakaway Torque (De-Energized):** .20 ozf in.  
**Max. Backlash (Engaged):** 5 arc min.  
**Power Consumption At 24V DC:** 3.7 watts

► **WEIGHT:**  
 13 oz. (TYPICAL)



#4-40 UNC-2B TAP X 1/4 DP.  
 4 HOLES EQUALLY SPACED  
 ON A Ø1.250 B.C.



**INCH COMPONENT**

Catalog Number	Coupling Type	Output Torque ozf in.	Brake Type	Brake Torque ozf in.	Inertia De-Energized oz. in. <sup>2</sup>	Inertia Energized oz. in. <sup>2</sup>
S9018A-T560	Friction	50	—	—	.134	.103
S9018A-T561	Crown Tooth	100	—	—	.134	.103
S9018A-T562	Friction	30	Friction	30	.101	.071
S9018A-T563	Crown Tooth	60	Friction	30	.101	.071

1-3/4 OUTSIDE DIAMETER  
 PAT. #3,272,290  
 SINGLE END  
 BALL BEARINGS

PHONE: 516.328.3300 • FAX: 516.326.8827 • WWW.SDP-SI.COM



> **SPECIFICATIONS (At 24 to 28V DC):**

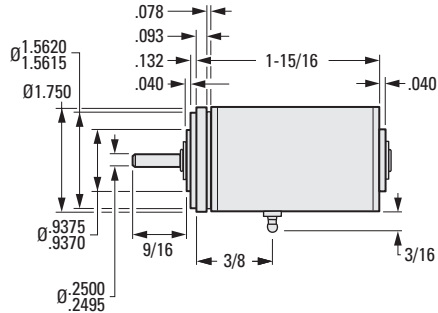
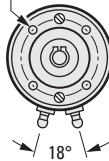
- Breakaway Torque (Energized):** .05 ozf in. (REVERSE)
- Breakaway Torque (De-Energized):** .05 ozf in. (MAGNETIC)
- Max. Backlash (Engaged):** 5 arc min.
- Power Consumption At 24V DC:** 3.7 watts

> **WEIGHT:**

13 oz. (TYPICAL)



#4-40 UNC-2B TAP X 1/4 DP.  
 4 HOLES EQUALLY SPACED  
 ON A Ø1.250 B.C.



**INCH COMPONENT**

Catalog Number	Brake Type	Brake Torque ozf in.	Braked When	Inertia oz. in. <sup>2</sup>
S9018A-T564	Friction	50	Energized	.042
S9018A-T565	Crown Tooth	100	Energized	.042
S9018A-T566	Friction	20	De-Energized	.075
S9018A-T567	Crown Tooth	40	De-Energized	.075

1-3/4 OUTSIDE DIAMETER  
 PAT. #3,272,290  
 SINGLE END  
 BALL BEARINGS

PHONE: 516.328.3300 • FAX: 516.326.8827 • WWW.SDP-SI.COM



› **SPECIFICATIONS (At 24 to 28V DC):**

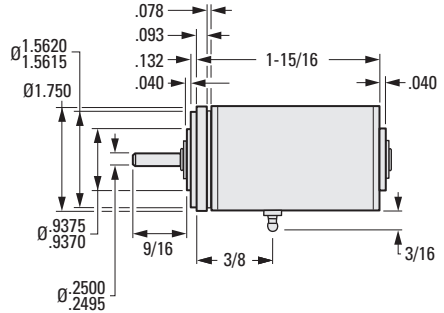
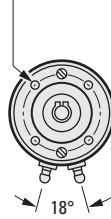
- Breakaway Torque (Energized):** .05 ozf in. (REVERSE)
- Breakaway Torque (De-Energized):** .05 ozf in. (MAGNETIC)
- Max. Backlash (Engaged):** 5 arc min.
- Power Consumption At 24V DC:** 3.7 watts

› **WEIGHT:**

13 oz. (TYPICAL)



#4-40 UNC-2B TAP X 1/4 DP.  
 4 HOLES EQUALLY SPACED  
 ON A Ø1.250 B.C.



**INCH COMPONENT**

Catalog Number	Brake Type	Brake Torque ozf in.	Braked When	Inertia oz. in. <sup>2</sup>
S9018A-T564	Friction	50	Energized	.042
S9018A-T565	Crown Tooth	100	Energized	.042
S9018A-T566	Friction	20	De-Energized	.075
S9018A-T567	Crown Tooth	40	De-Energized	.075