














Catalog Series	Material	Ratios	Pages
 S99RD1MBE...-1	Economy Series Right Angle Bevel Gear Drives AISI 1045 Steel Gears	1:1	12-2
 S99RD1MBE...-2	Economy Series Right Angle Bevel Gear Drives AISI 1045 Steel Gears	2:1	12-3
 A 2Z20M.C...	Right Angle Bevel Gear Drives Hardened Steel Gears Steel Ball Bearings	1:1	12-4
 A 2Z21M.M...	Right Angle Bevel Gear Drives Molded Nylon Gears Sintered Bronze Bearings	1:1 and 2:1	12-5
 A 2Z21M.C...	Right Angle Bevel Gear Drives Case-Hardened Steel Gears Precision Grade Steel Ball Bearings and Sintered Bronze Bearings	1:1, 2:1 and 3:1	12-6
 A 2Z27MC... A 2Z28MC... A 2Z29MC...	Precision Quality Right Angle Bevel Gear Drives SAE 4340 Steel Miter Gears Sealed Ball Bearings	1:1	12-7
 S991LYM...	Heavy-Duty "L" Gear Drives Case-Hardened Alloy Steel Spiral Bevel Gears	1:1 and 2:1	12-9
 S991TYM...	Heavy-Duty "T" Gear Drives Case-Hardened Alloy Steel Spiral Bevel Gears	1:1 and 2:1	12-10



Catalog Series	Material	Ratios	Pages
 <p>A 2Z17M... A 2Z18M... A 2Z19M...</p>	<p>Precision Quality Worm Gear Speed Reducers Hardened Carbon Steel Worms and Phosphor Bronze Worm Wheels Precision Ball Bearings and Self-Lubricating Bearings</p>	<p>6:1 thru 100:1</p>	<p>12-11 thru 12-13</p>
 <p>A 2Z22M...</p>	<p>Base-Mounted Right Angle Helical Gear Speed Reducers Hardened Steel Helical Gears</p>	<p>1:1 thru 25:1</p>	<p>12-14</p>
 <p>A 2Z23M...</p>	<p>Panel-Mounted Right Angle Helical Gear Speed Reducers Hardened Steel Helical Gears</p>	<p>1:1 thru 25:1</p>	<p>12-15</p>

- I
- R
- T
- 1
- 2
- 3
- 4
- 5
- 6
- 7
- 8
- 9
- 10
- 11
- 12**
- 13
- 14
- 15
- A

LOW-COST RIGHT ANGLE BEVEL GEAR DRIVES

SDP/SI

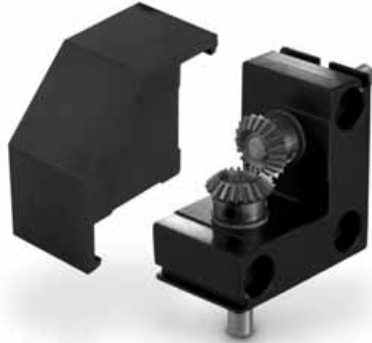
1:1 RATIO
 RATED SPEEDS UP TO 500 RPM
 ECONOMY SERIES

PHONE: 516.328.3300 • FAX: 516.326.8827 • WWW.SDP-SI.COM



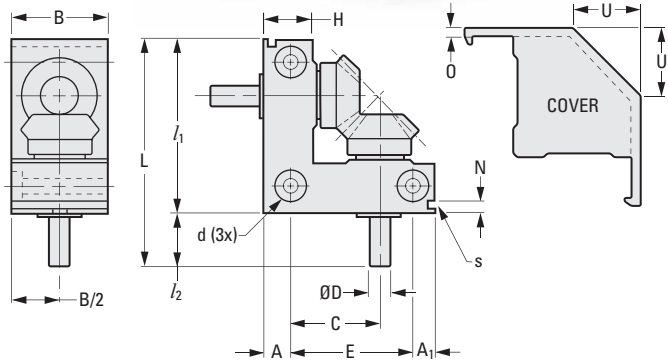
> MATERIAL:

- Gears** - AISI 1045 Steel
- Cover** - Plastic, Black
- Shafts** - 303 Stainless Steel
- Housing** - Aluminum, Black Anodized
- Bearings** - Layers of special resin and bronze with steel backing



> SPECIFICATION:

- Shaft Tolerance:
- 4, 5 & 6 mm 0/-0.018
- 8 & 10 mm 0/-0.022
- 12 mm 0/-0.027



The projections shown are per ISO convention.

PERFORMANCE DATA				
Input (rpm)	Output Torque N • m			
	S99RD1MBE40L-1	S99RD1MBE55L-1	S99RD1MBE70L-1A or B	S99RD1MBE88L-1A or B
50	0.14	0.553	1.035	3.32
100	0.139	0.544	1.017	3.237
250	0.135	0.524	0.968	3.013
500	0.129	0.491	0.896	2.7

METRIC COMPONENT

Catalog Number	Gear Module	No. of Teeth	Gear Ratio	L Overall Length	L ₁ Housing Length	H Housing Width	D Shaft Dia. h8	L ₂ Shaft Length	A	A ₁	E
S99RD1MBE40L-1	0.5	20	1:1	40	30	10	4	10	5	4.5	20.5
S99RD1MBE55L-1	0.8	20	1:1	55	40	13	5	15	6.5	5	28.5
S99RD1MBE70L-1A	1	20	1:1	70	50	16	6	20	8	6	36
S99RD1MBE70L-1B	1	20	1:1	70	50	16	8	20	8	6	36
S99RD1MBE88L-1A	1.5	20	1:1	88	63	20	10	25	10	7	46
S99RD1MBE88L-1B	1.5	20	1:1	88	63	20	12	25	10	7	46

Catalog Number (Ref.)	C	B Housing Depth	d			N	s Slot		O Cover Thickness	U Chamfer	Wt. g
			Mtg. Hole	Hole C'bore	C'bore Depth		Width	Depth			
S99RD1MBE40L-1	15	18	3.4	6.5	3.5	2.5	1.5	1.7	1.7	13	30
S99RD1MBE55L-1	21.5	25	3.4	6.5	3.5	4	2.5	2	1.9	16	85
S99RD1MBE70L-1A or B	27	30	4.3	8	4.5	4.5	2.5	2.5	2.1	20	170
S99RD1MBE88L-1A or B	33	40	5.2	9.5	5.5	5	2.5	2.5	2.1	27	380

2:1 RATIO
 RATED SPEEDS UP TO 500 RPM
 ECONOMY SERIES

PHONE: 516.328.3300 • FAX: 516.326.8827 • WWW.SDP-SI.COM

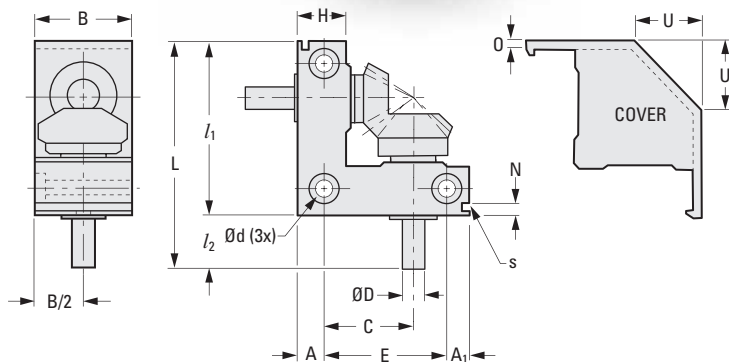
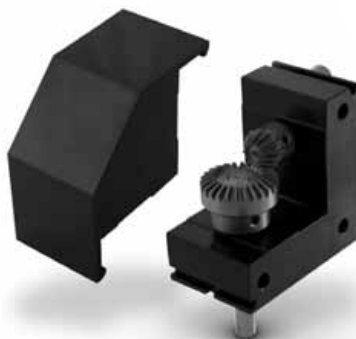


➤ MATERIAL:

- Gears** - AISI 1045 Steel
- Cover** - Plastic, Black
- Shafts** - 303 Stainless Steel
- Housing** - Aluminum, Black Anodized
- Bearings** - Layers of special resin and bronze with steel backing

➤ SPECIFICATION:

- Shaft Tolerance:
 - 5 & 6 mm 0/-0.018
 - 8 & 10 mm 0/-0.022
 - 12 mm 0/-0.027



The projections shown are per ISO convention.

PERFORMANCE DATA

Input (rpm)	Output Torque N • m		
	S99RD1MBE55L-2	S99RD1MBE70L-2A or B	S99RD1MBE88L-2A or B
50	0.152	0.298	1.061
100	0.15	0.296	1.047
250	0.147	0.288	1.005
500	0.142	0.276	0.942

METRIC COMPONENT

Catalog Number	Gear Module	No. of Teeth	Gear Ratio	L Overall Length	l_1 Housing Length	H Housing Width	D Shaft Dia. h8	l_2 Shaft Length	A	A_1	E
S99RD1MBE55L-2	0.6	28/14	2:1	55	40	13	5	15	6.5	5	28.5
S99RD1MBE70L-2A	0.8	26/13	2:1	70	50	16	6	20	8	6	36
S99RD1MBE70L-2B	0.8	26/13	2:1	70	50	16	8	20	8	6	36
S99RD1MBE88L-2A	1.25	26/13	2:1	88	63	20	10	25	10	7	46
S99RD1MBE88L-2B	1.25	26/13	2:1	88	63	20	12	25	10	7	46

Catalog Number (Ref.)	C	B Housing Depth	d			N	s Slot		O Cover Thickness	U Chamfer	Wt. g
			Mtg. Hole	Hole C'bore	C'bore Depth		Width	Depth			
S99RD1MBE55L-2	21.5	25	3.4	6.5	3.5	4	2.5	2	1.9	16	80
S99RD1MBE70L-2A or B	27	30	4.3	8	4.5	4.5	2.5	2.5	2.1	20	165
S99RD1MBE88L-2A or B	33	40	5.2	9.5	5.5	5	2.5	2.5	2.1	27	375

I

R

T

1

2

3

4

5

6

7

8

9

10

11

12

13

14

15

A

RIGHT ANGLE BEVEL GEAR DRIVES



PHONE: 516.328.3300 • FAX: 516.326.8827 • WWW.SDP-SI.COM

1:1 RATIO
 INPUT SPEEDS UP TO 3000 RPM
 METAL GEARS
 BALL BEARINGS
 LARGE

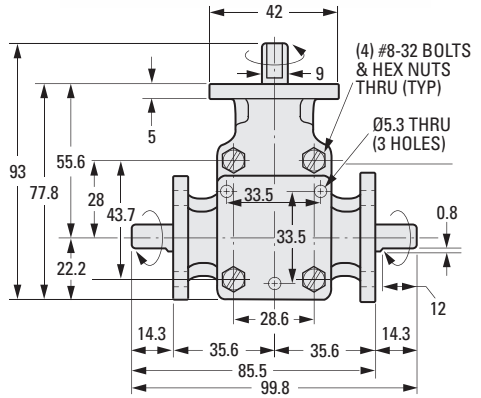
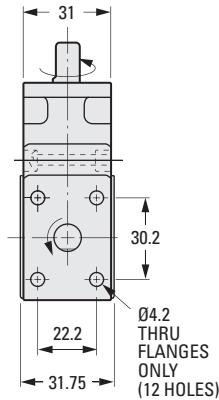


> MATERIAL:

- Housing** - Fiberglass reinforced plastic
- Gears** - Steel, Hardened – Coniflex Type
- Shafts** - High Tensile Steel
- Bearings** - Steel Ball
- Lubrication** - Permanently Lubricated with Lithium-Base Grease

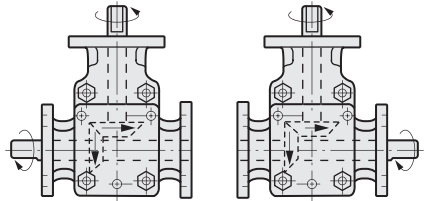
> SPECIFICATIONS:

Rated at 249W (1/3 HP) at 1800 rpm.
 Maximum speed is 3000 rpm.



"U" Series

The projections shown are per ISO convention.



"L" Series

"R" Series

METRIC COMPONENT

Catalog Number	Shaft Dia. 0 -0.025	Gear Ratio	Approx. Weight grams
A 2Z20MUC101009	9	1:1	340
A 2Z20MLC101009	9	1:1	340
A 2Z20MRC101009	9	1:1	340

1:1 OR 2:1 RATIOS
 RATED SPEEDS UP TO 1800 RPM
 MOLDED GEARS
 SINTERED BRONZE BEARINGS

PHONE: 516.328.3300 • FAX: 516.326.8827 • WWW.SDP-SI.COM

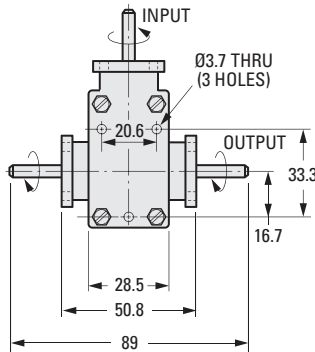
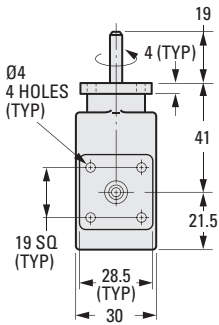
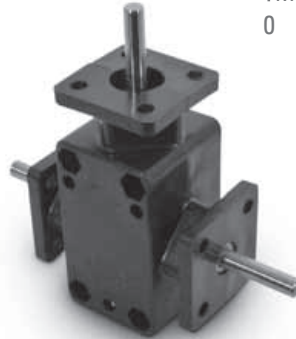


> MATERIAL:

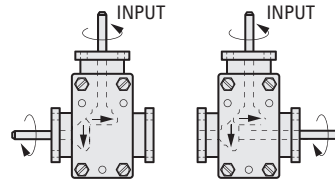
- Housing** - PBT Polyester 40% Glass/Mineral Filled
- Shafts** - Precision Ground Type 303 Stainless Steel
- Bearings** - Sintered Bronze
- Gears** - Molded Nylon

> SPECIFICATION:

Backlash: 5°



"U" Series



"L" Series

"R" Series

The projections shown are per ISO convention.

METRIC COMPONENT

Catalog Number	Shaft Dia. 0 -0.025	Gear Ratio	1800 rpm Input		Approx. Weight grams
			Max. Output Torque	Max. Output Power	
A 2Z21MUM101004	4	1:1	0.12 N • m	22.4W (0.03 hp)	100
A 2Z21MLM101004	4	1:1	0.12 N • m	22.4W (0.03 hp)	100
A 2Z21MRM101004	4	1:1	0.12 N • m	22.4W (0.03 hp)	100
A 2Z21MUM201004	4	2:1	0.29 N • m	22.4W (0.03 hp)	100
A 2Z21MLM201004	4	2:1	0.29 N • m	22.4W (0.03 hp)	100
A 2Z21MRM201004	4	2:1	0.29 N • m	22.4W (0.03 hp)	100

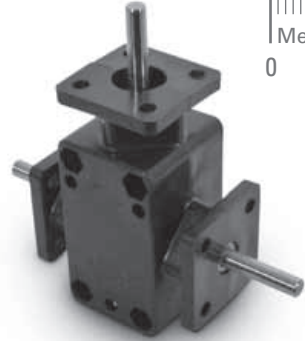
- I
- R
- T
- 1
- 2
- 3
- 4
- 5
- 6
- 7
- 8
- 9
- 10
- 11
- 12
- 13
- 14
- 15
- A

RIGHT ANGLE BEVEL GEAR DRIVES



PHONE: 516.328.3300 • FAX: 516.326.8827 • WWW.SDP-SI.COM

MULTIPLE RATIOS
 RATED SPEEDS UP TO 1800 RPM
 METAL GEARS
 BALL AND BRONZE BEARINGS

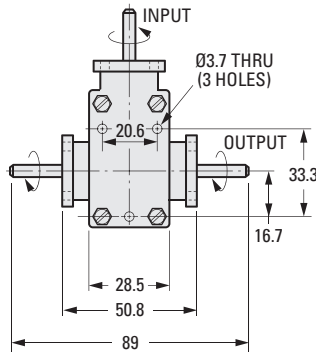
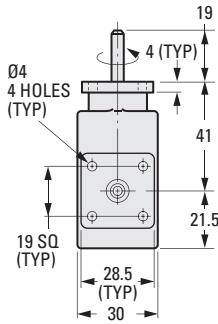


› MATERIAL:

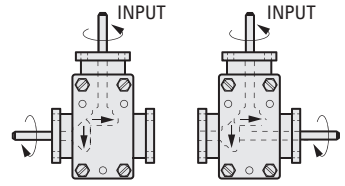
Housing - PBT Polyester 40% Glass/Mineral Filled
Shafts - Precision Ground Type 303 Stainless Steel
Bearings - **Input Shaft** - Precision Grade Steel Ball
Output Shaft - Sintered Bronze
Gears - Case-Hardened Steel

› SPECIFICATION:

Backlash: 3°



"U" Series



"L" Series

"R" Series

The projections shown are per ISO convention.

METRIC COMPONENT

Catalog Number	Shaft Dia. 0 -0.025	Gear Ratio	1800 rpm Input		Approx. Weight grams
			Max. Output Torque	Max. Output Power	
A 2Z21MUC101004	4	1:1	0.35 N • m	59.7W (0.08 hp)	100
A 2Z21MLC101004	4	1:1	0.35 N • m	59.7W (0.08 hp)	100
A 2Z21MRC101004	4	1:1	0.35 N • m	59.7W (0.08 hp)	100
A 2Z21MUC101006	6	1:1	0.35 N • m	59.7W (0.08 hp)	120
A 2Z21MLC101006	6	1:1	0.35 N • m	59.7W (0.08 hp)	120
A 2Z21MRC101006	6	1:1	0.35 N • m	59.7W (0.08 hp)	120
A 2Z21MUC201004	4	2:1	0.52 N • m	44.7W (0.06 hp)	100
A 2Z21MLC201004	4	2:1	0.52 N • m	44.7W (0.06 hp)	100
A 2Z21MRC201004	4	2:1	0.52 N • m	44.7W (0.06 hp)	100
A 2Z21MUC201006	6	2:1	0.52 N • m	44.7W (0.06 hp)	120
A 2Z21MLC201006	6	2:1	0.52 N • m	44.7W (0.06 hp)	120
A 2Z21MRC201006	6	2:1	0.52 N • m	44.7W (0.06 hp)	120
A 2Z21MUC301004	4	3:1	0.46 N • m	22.4W (0.03 hp)	100
A 2Z21MLC301004	4	3:1	0.46 N • m	22.4W (0.03 hp)	100
A 2Z21MRC301004	4	3:1	0.46 N • m	22.4W (0.03 hp)	100
A 2Z21MUC301006	6	3:1	0.46 N • m	22.4W (0.03 hp)	120
A 2Z21MLC301006	6	3:1	0.46 N • m	22.4W (0.03 hp)	120
A 2Z21MRC301006	6	3:1	0.46 N • m	22.4W (0.03 hp)	120

RIGHT ANGLE BEVEL GEAR DRIVES

SDP/SI

PRECISION 1:1 RATIO
 INPUT SPEEDS UP TO 3000 RPM
 UP TO 1 HP
 MEDIUM-DUTY

PHONE: 516.328.3300 • FAX: 516.326.8827 • WWW.SDP-SI.COM



QUALITY CLASS



► MATERIAL:

- Housing** - Aluminum Alloy, Black Anodized
All Surfaces Machined
- Gears** - Miter, SAE 4340 Steel
- Shafts** - Type 18-8 Stainless Steel
- Bearings** - Ball, Sealed
- Lubrication** - Grease-Packed for Life

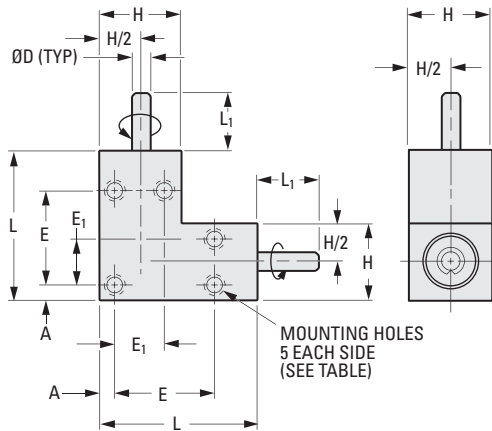
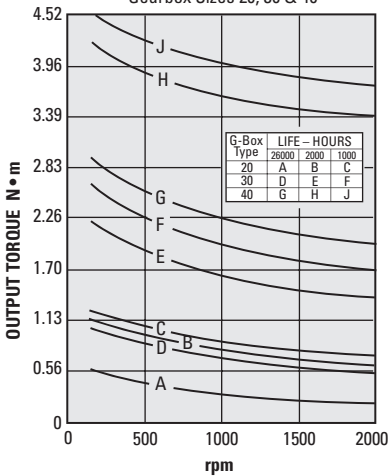
► OPERATING TEMPERATURE:

-20°C to +150°C

► SPECIFICATIONS:

- Gear Ratio:** 1:1
- Backlash:** 1° Max.
- Input Speed:** Max. recommended 3000 rpm

TORQUE/SPEED DATA
 Gearbox Sizes 20, 30 & 40



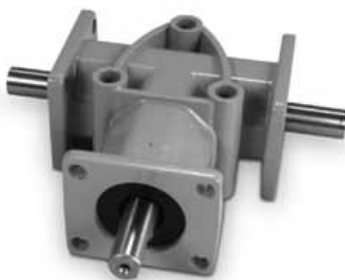
The projections shown are per ISO convention.

METRIC COMPONENT

Catalog Number	Size	D Shaft Dia. 0 -0.013	L ± 0.25	H ± 0.25	A	E	E ₁
A 2227MC1010	20	4	40	20	4	25	12
A 2228MC1010	30	8	60	30	5	40	20
A 2229MC1010	40	12	80	40	5	55	30

Catalog Number (Ref.)	L ₁	Mounting Holes		1800 rpm Input		Weight grams
		Size	Depth	Max. Output Torque N·m	Max. Output Power	
A 2227MC1010	15	M4	5	0.3	149W (0.2 HP)	80
A 2228MC1010	20	M5	7	1.3	336W (0.45 HP)	265
A 2229MC1010	25	M6	9	3.8	746W (1 HP)	665

- I
- R
- T
- 1
- 2
- 3
- 4
- 5
- 6
- 7
- 8
- 9
- 10
- 11
- 12
- 13
- 14
- 15
- A



> PERFORMANCE DATA FOR FOLLOWING PAGES:

Catalog Number	Ratio	Specification	X-Axis (rpm)												Allowable Thrust Load N (lbf)	
			50	100	200	300	400	600	900	1200	1500	1800	2500	3600	X-Axis	Y-Axis
1:1 RATIO																
S991TYM10A S991LYM10A	1:1	Allowable Power kW	0.01	0.02	0.05	0.07	0.09	0.14	0.20	0.26	0.31	0.35	0.38	0.44	59 (13.3)	69 (15.5)
		X-Y Axis Torque N • m (kgf • m) [lb • ft]	2.35 (0.24) [1.73]	2.35 (0.24) [1.73]	2.25 (0.23) [1.66]	2.25 (0.23) [1.66]	2.16 (0.22) [1.59]	2.16 (0.22) [1.59]	2.06 (0.21) [1.52]	2.06 (0.21) [1.52]	1.96 (0.20) [1.45]	1.86 (0.19) [1.37]	1.47 (0.15) [1.08]	1.18 (0.12) [0.87]		
S991TYM15A S991LYM15A		Allowable Power kW	0.05	0.09	0.18	0.27	0.35	0.51	0.75	0.96	1.16	1.30	1.44	1.66	98 (22.0)	118 (26.5)
		X-Y Axis Torque N • m (kgf • m) [lb • ft]	8.82 (0.90) [6.51]	8.82 (0.90) [6.51]	8.62 (0.88) [6.36]	8.53 (0.87) [6.29]	8.33 (0.85) [6.14]	8.13 (0.83) [6.00]	7.94 (0.81) [5.86]	7.64 (0.78) [5.63]	7.35 (0.75) [5.42]	6.86 (0.70) [5.06]	5.49 (0.56) [4.05]	4.41 (0.45) [3.25]		
S991TYM20A S991LYM20A		Allowable Power kW	0.09	0.18	0.36	0.52	0.68	0.95	1.38	1.78	2.15	2.50	2.55	2.95	196 (44.1)	274 (61.6)
		X-Y Axis Torque N • m (kgf • m) [lb • ft]	17.6 (1.80) [13.0]	17.6 (1.80) [13.0]	17.2 (1.75) [12.7]	16.7 (1.70) [12.3]	16.2 (1.65) [11.9]	15.2 (1.55) [11.2]	14.7 (1.50) [10.8]	14.2 (1.45) [10.4]	13.7 (1.40) [10.1]	13.2 (1.35) [9.7]	9.80 (1.00) [7.2]	7.84 (0.80) [5.8]		
2:1 RATIO																
S991TYM10B S991LYM10B	2:1	Allowable Power kW	0.005	0.01	0.02	0.03	0.04	0.06	0.09	0.12	0.14	0.16	0.17	0.20	59 (13.3)	69 (15.5)
		Y-Axis Torque N • m (kgf • m) [lb • ft]	2.06 (0.21) [1.52]	2.06 (0.21) [1.52]	2.06 (0.21) [1.52]	1.96 (0.20) [1.45]	1.96 (0.20) [1.45]	1.96 (0.20) [1.45]	1.86 (0.19) [1.37]	1.86 (0.19) [1.37]	1.76 (0.18) [1.30]	1.67 (0.17) [1.23]	1.27 (0.13) [0.94]	1.08 (0.11) [0.80]		
S991TYM15B S991LYM15B		Allowable Power kW	0.02	0.04	0.08	0.13	0.17	0.25	0.36	0.46	0.55	0.62	0.69	0.80	98 (22.0)	118 (26.5)
		Y-Axis Torque N • m (kgf • m) [lb • ft]	8.43 (0.86) [6.22]	8.43 (0.86) [6.22]	8.23 (0.84) [6.07]	8.13 (0.83) [6.00]	8.04 (0.82) [5.93]	7.84 (0.80) [5.78]	7.55 (0.77) [5.57]	7.25 (0.74) [5.35]	7.06 (0.72) [5.21]	6.57 (0.67) [4.85]	5.29 (0.54) [3.90]	4.21 (0.43) [3.11]		
S991TYM20B S991LYM20B		Allowable Power kW	0.05	0.10	0.19	0.28	0.37	0.53	0.77	0.99	1.15	1.31	1.40	1.57	196 (44.1)	274 (61.6)
		Y-Axis Torque N • m (kgf • m) [lb • ft]	19.6 (2.00) [14.5]	19.6 (2.00) [14.5]	18.6 (1.90) [13.7]	18.1 (1.85) [13.3]	17.6 (1.80) [13.0]	17.0 (1.73) [12.5]	16.4 (1.67) [12.1]	15.7 (1.60) [11.6]	14.7 (1.50) [10.8]	13.9 (1.42) [10.3]	10.8 (1.10) [7.97]	8.33 (0.85) [6.14]		

NOTE: When the 2:1 ratio is used as a speed increaser (from the Y-Axis to the X-Axis), the X-Axis torque becomes one half of the Y-Axis torque shown in the table.

HEAVY-DUTY "L" GEAR DRIVES

SDP/SI

1:1 OR 2:1 RATIOS
 RATED SPEEDS UP TO 3600 RPM
 LOW NOISE & HIGH EFFICIENCY
 EASY INSTALLATION
 COMPACT DESIGN
 MAINTENANCE-FREE
 REVERSIBLE

PHONE: 516.328.3300 • FAX: 516.326.8827 • WWW.SDP-SI.COM

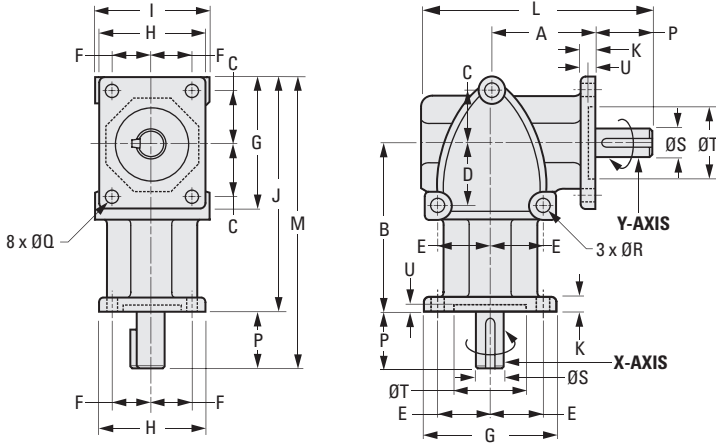


► MATERIAL:

- Gears** - Spiral Bevel, Case-Hardened Alloy Steel
- Case** - Aluminum Die-Cast
- Shafts** - Alloy Steel

► OPERATING TEMPERATURE:

-10°C to +40°C



The projections shown are per ISO convention.

METRIC COMPONENT

Catalog Number	Ratio	A	B	C	D	E	F	G	H	I	J	K	L
S991LYM10A	1:1	37	58	18	18	18	14	46	38	40	82	5	82
S991LYM10B	2:1	37	58	18	18	18	14	46	38	40	82	5	82
S991LYM15A	1:1	66	100	31	36	31	22	80	62	66	140	8	137
S991LYM15B	2:1	66	100	31	36	31	22	80	62	66	140	8	137
S991LYM20A	1:1	80	120	36	36	36	26	92	72	76	166	10	168
S991LYM20B	2:1	80	120	36	36	36	26	92	72	76	166	10	168

Catalog Number (Ref.)	M	P	Q Dia.	R Dia.	S Dia. h7	T Dia. H7	U	Key	Backlash of Shaft Rotation	Weight kg
S991LYM10A	102	20	5.5	6.5	10	26	2	1 mm deep	16'...44'	0.4
S991LYM10B	102	20	5.5	6.5	10	26	2	Flat 15 /	30'...1°23'	0.4
S991LYM15A	170	30	8.5	8.5	15	42	3	5 x 5 x 27 /	10'...37'	1.8
S991LYM15B	170	30	8.5	8.5	15	42	3		19'...1°09'	1.8
S991LYM20A	206	40	8.5	8.5	20	52	4	6 x 6 x 35 /	8'...33'	3.1
S991LYM20B	206	40	8.5	8.5	20	52	4		15'...60'	3.1

See page 12-8 for performance data.



HEAVY-DUTY "T" GEAR DRIVES

SDP/SI

PHONE: 516.328.3300 • FAX: 516.326.8827 • WWW.SDP-SI.COM

- 1:1 OR 2:1 RATIOS
- RATED SPEEDS UP TO 3600 RPM
- LOW NOISE & HIGH EFFICIENCY
- EASY INSTALLATION
- COMPACT DESIGN
- MAINTENANCE-FREE
- REVERSIBLE

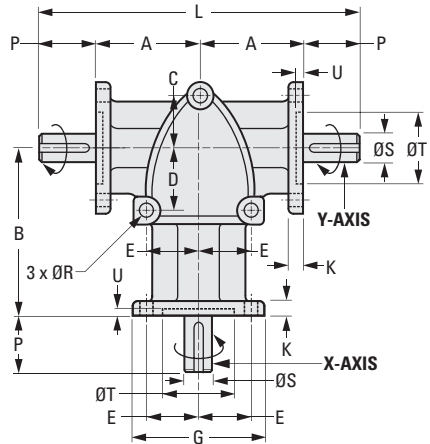
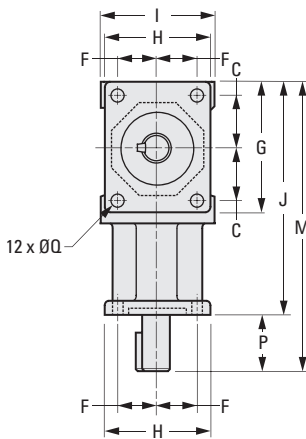


► MATERIAL:

- Gears** - Spiral Bevel, Case-Hardened Alloy Steel
- Case** - Aluminum Die-Cast
- Shafts** - Alloy Steel

► OPERATING TEMPERATURE:

-10°C to +40°C



The projections shown are per ISO convention

METRIC COMPONENT

Catalog Number	Ratio	A	B	C	D	E	F	G	H	I	J	K	L
S991TYM10A	1:1	37	58	18	18	18	14	46	38	40	82	5	114
S991TYM10B	2:1	37	58	18	18	18	14	46	38	40	82	5	144
S991TYM15A	1:1	66	100	31	36	31	22	80	62	66	140	8	192
S991TYM15B	2:1	66	100	31	36	31	22	80	62	66	140	8	192
S991TYM20A	1:1	80	120	36	36	36	26	92	72	76	166	10	240
S991TYM20B	2:1	80	120	36	36	36	26	92	72	76	166	10	240

Catalog Number (Ref.)	M	P	Q Dia.	R Dia.	S Dia. h7	T Dia. H7	U	Key	Backlash of Shaft Rotation	Weight kg
S991TYM10A	102	20	5.5	6.5	10	26	2	1 mm deep	16'...44'	0.5
S991TYM10B	102	20	5.5	6.5	10	26	2	Flat 15 /	30'...1°23'	0.5
S991TYM15A	170	30	8.5	8.5	15	42	3	5 x 5 x 27 /	10'...37'	2.2
S991TYM15B	170	30	8.5	8.5	15	42	3		19'...1°09'	2.2
S991TYM20A	206	40	8.5	8.5	20	52	4	6 x 6 x 35 /	8'...33'	3.4
S991TYM20B	206	40	8.5	8.5	20	52	4		15'...60'	3.4

See page 12-8 for performance data.

PRECISION QUALITY

STYLE "E"

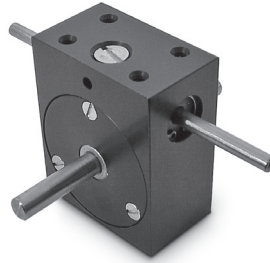
MULTIPLE RATIOS

INPUT SPEEDS UP TO 6000 rpm

PHONE: 516.328.3300 • FAX: 516.326.8827 • WWW.SDP-SI.COM



QUALITY CLASS



> MATERIAL:

- Housing** - Aluminum Alloy, Black Anodized
- Shafts - Input** - Carbon Steel, Integral with Worm
- Output** - Mild Steel
- Gears - Worm** - Hardened Carbon Steel with Polished Right-Hand Threads
- Worm Wheel** - Phosphor Bronze
- Bearings - Input** - Ball Bearings
- Output** - Sintered Bronze Bearings

> LUBRICATION:

Packed with grease at assembly having temperature range of -20°C to +150°C.

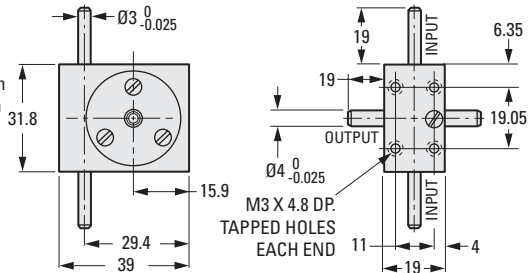
> SPECIFICATIONS:

- Input Speed:** 6000 rpm Max.
- Backlash at Output:** 0°30'
- Torque:**
- Max. starting torque at input shaft:** $5 \times 10^{-4} \text{ N} \cdot \text{m}$
- Max. cont. output torque @ 1800 rpm:** $0.51 \text{ N} \cdot \text{m}$

> WEIGHT:

0.08 kg

Other ratios are available on special order.



The projections shown are per ISO convention.

METRIC COMPONENT

Catalog Number	Ratio to 1
A 2Z17ME0080	8
A 2Z17ME0166	16.67
A 2Z17ME0200	20
A 2Z17ME0500	50

NOTE:

Also available in other styles where special shaft diameters or extensions are required. These speed reducers are available with anti-backlash gears. Input speed, however, is limited to 3000 rpm with a maximum continuous output torque of $0.009 \text{ N} \cdot \text{m}$. Maximum starting torque at input shaft is $60 \times 10^{-4} \text{ N} \cdot \text{m}$.

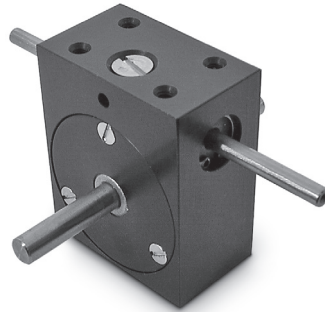


PRECISION QUALITY
 STYLE "E"
 MULTIPLE RATIOS
 INPUT SPEEDS UP TO 6000 rpm

PHONE: 516.328.3300 • FAX: 516.326.8827 • WWW.SDP-SI.COM



QUALITY CLASS



> MATERIAL:

- Housing** - Aluminum Alloy, Black Anodized
- Shafts - Input** - Carbon Steel, Integral with Worm
- Output** - Mild Steel
- Gears - Worm** - Hardened Carbon Steel with Polished Right-Hand Threads
- Worm Wheel** - Phosphor Bronze
- Bearings - Input** - Ball Bearings
- Output** - Sintered Bronze Bearings

> LUBRICATION:

Packed with grease at assembly having temperature range of -20°C to +150°C.

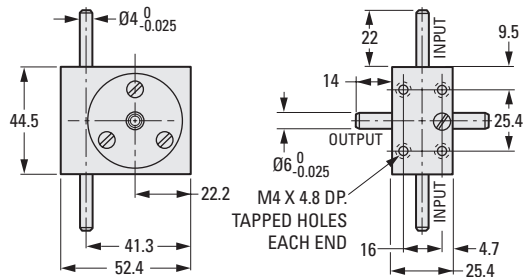
> SPECIFICATIONS:

- Input Speed:** 6000 rpm Max.
- Backlash at Output:** 0°30'
- Torque:**
- Max. starting torque at input shaft:** 12×10^{-4} Nm
- Max. cont. output torque @ 1800 rpm:** 1.47 Nm

> WEIGHT:

0.2 kg

Other ratios are available on special order.



The projections shown are per ISO convention.

METRIC COMPONENT	
Catalog Number	Ratio to 1
A 2Z18ME0080	8
A 2Z18ME0100	10
A 2Z18ME0120	12
A 2Z18ME0200	20
A 2Z18ME0500	50
A 2Z18ME0600	60

NOTE:

Also available in other styles where special shaft diameters or extensions are required. These speed reducers are available with anti-backlash gears. Input speed, however, is limited to 3000 rpm with a maximum continuous output torque of 0.17 Nm. Maximum starting torque at input shaft is 250×10^{-4} Nm.

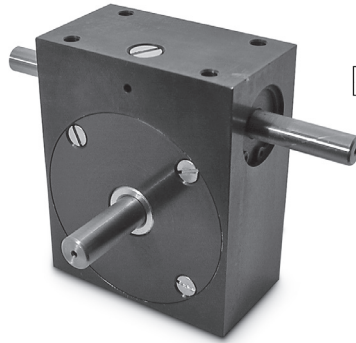


PRECISION QUALITY
 STYLE "E"
 MULTIPLE RATIOS
 INPUT SPEEDS UP TO 6000 rpm

PHONE: 516.328.3300 • FAX: 516.326.8827 • WWW.SDP-SI.COM



QUALITY CLASS



► **MATERIAL:**

- Housing** - Aluminum Alloy, Black Anodized
- Shafts - Input** - Carbon Steel
- Output** - Mild Steel
- Gears - Worm** - Hardened Carbon Steel with Polished Right-Hand Threads
- Worm Wheel** - Phosphor Bronze
- Bearings - Input** - Ball Bearings
- Output** - Sintered Bronze Bearings

► **LUBRICATION:**

Packed with grease at assembly having temperature range of -20°C to +150°C.

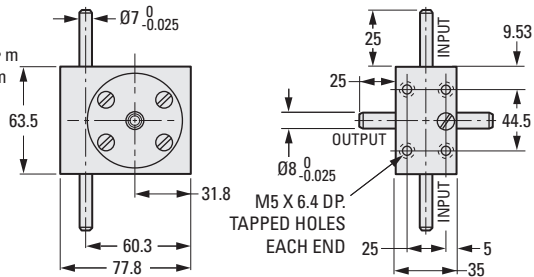
► **SPECIFICATIONS:**

- Input Speed:** 6000 rpm Max.
- Backlash at Output:** 0°30'
- Torque:**
- Max. starting torque at input shaft:** $80 \times 10^{-4} \text{ N} \cdot \text{m}$
- Max. cont. output torque @ 1800 rpm:** $4.41 \text{ N} \cdot \text{m}$

► **WEIGHT:**

0.6 kg

Other ratios available on special order.



The projections shown are per ISO convention.

METRIC COMPONENT

Catalog Number	Ratio to 1
A 2Z19ME0060	6
A 2Z19ME0250	25
A 2Z19ME0360	36
A 2Z19ME0500	50
A 2Z19ME0700	70
A 2Z19ME1000	100

NOTE:

Also available in other styles where special shaft diameters or extensions are required. These speed reducers are available with anti-backlash gears. Input speed, however, is limited to 3000 rpm with a maximum continuous output torque of 0.29 N • m. Maximum starting torque at input shaft is $1225 \times 10^{-4} \text{ N} \cdot \text{m}$.

