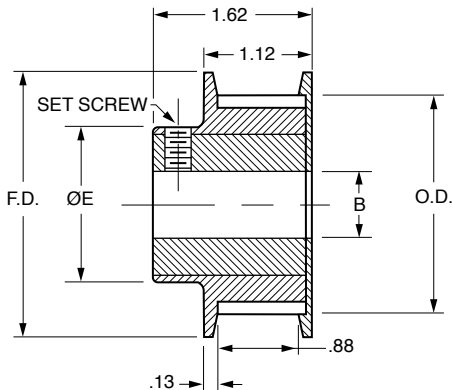




HTD® Timing Belt Pulleys – 8 mm Pitch

Stock Drive Products/Sterling Instrument ■ Phone: 516-328-3300 ■ Fax: 516-326-8827

- MOLDED WITH INSERT
- **TRUE METRIC®** PROFILE
- DOUBLE FLANGE



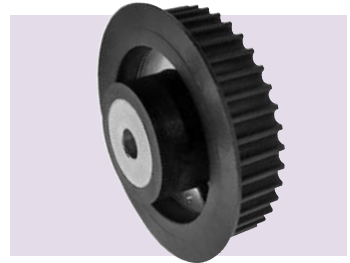
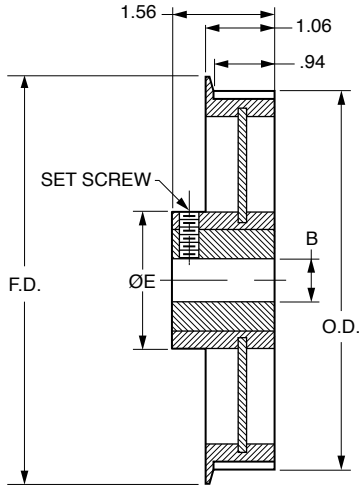
FOR 20 mm BELTS (.787 INCH)

MATERIAL: Pulley – Nylon – Black, Fiberglass Reinforced
Insert – Aluminum

| Catalog Number | No. of Grooves | P.D. | O.D. ±.005 | F.D. | B Bore +.0015 +.0005 | E Hub | Set Screw |
|--|----------------|-------|------------|------|-------------------------|-------|----------------------------|
| A 6E28-014DF2016 A 6E28-014DF2020 | 14 | 1.404 | 1.350 | 1.75 | .5000 .6250 | 1.12 | #10-24 |
| A 6E28-018DF2016 A 6E28-018DF2020 | 18 | 1.804 | 1.751 | 2.15 | .5000 .6250 | 1.50 | #10-24 1/4-20 |
| A 6E28-022DF2016 A 6E28-022DF2020 | 22 | 2.206 | 2.152 | 2.56 | .5000 .6250 | 1.50 | #10-24 1/4-20 |
| A 6E28-024DF2016 A 6E28-024DF2020 A 6E28-024DF2024 | 24 | 2.406 | 2.352 | 2.75 | .5000 .6250 .7500 | 1.50 | #10-24 1/4-20 1/4-20 |
| A 6E28-026DF2016 A 6E28-026DF2020 | 26 | 2.607 | 2.553 | 2.95 | .5000 .6250 | 1.50 | #10-24 1/4-20 |
| A 6E28-028DF2016 A 6E28-028DF2020 | 28 | 2.807 | 2.753 | 3.15 | .5000 .6250 | 1.50 | #10-24 1/4-20 |

Other bore sizes available on special request

- MOLDED WITH INSERT
- **TRUE METRIC®** PROFILE
- SINGLE FLANGE



FOR 20 mm BELTS (.787 INCH)

MATERIAL: Pulley – Nylon – Black, Fiberglass Reinforced
 Insert – Aluminum

| Catalog Number | No. of Grooves | P.D. | O.D. ±.005 | F.D. | B Bore +.0015 +.0005 | E Hub | Set Screw |
|------------------|----------------|-------|---------------|------|-------------------------------|----------|--------------|
| A 6E28-030SF2016 | 30 | 3.008 | 2.954 | 3.35 | .5000 | 1.50 | #10-24 |
| A 6E28-030SF2020 | | | | | .6250 | | 1/4-20 |
| A 6E28-032SF2016 | 32 | 3.208 | 3.154 | 3.54 | .5000 | 1.50 | #10-24 |
| A 6E28-034SF2016 | 34 | 3.409 | 3.355 | 3.82 | .5000 | 2.00 | #10-24 |
| A 6E28-036SF2016 | | | | | .5000 | | #10-24 |
| A 6E28-036SF2020 | 36 | 3.609 | 3.555 | 3.93 | .6250 | 2.00 | 1/4-20 |
| A 6E28-038SF2016 | 38 | 3.810 | 3.756 | 4.13 | .5000 | 2.00 | #10-24 |
| A 6E28-040SF2016 | | | | | .5000 | | #10-24 |
| A 6E28-040SF2020 | 40 | 4.010 | 3.956 | 4.33 | .6250 | 2.00 | 1/4-20 |
| A 6E28-044SF2016 | 44 | 4.411 | 4.357 | 4.77 | .5000 | 2.00 | #10-24 |
| A 6E28-048SF2020 | 48 | 4.812 | 4.758 | 5.16 | .6250 | 2.00 | 1/4-20 |
| A 6E28-056SF2020 | 56 | 5.614 | 5.560 | 5.95 | .6250 | 2.00 | 1/4-20 |

Other bore sizes available on special request